

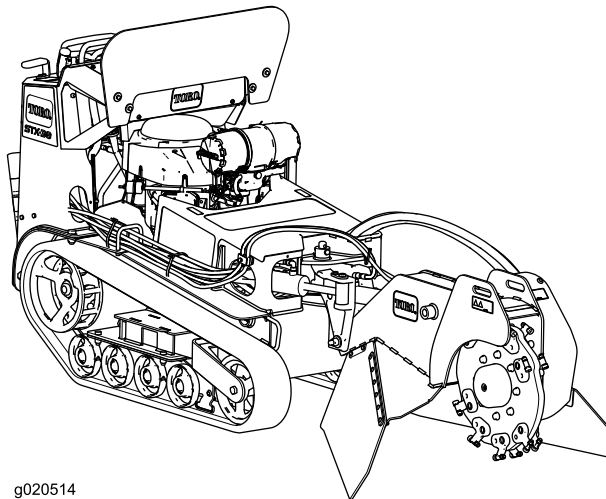


**Count on it.**

**Operator's Manual**

# STX-38 Stump Grinder

Model No. 23212—Serial No. 313000001 and Up



g020514



## ▲ WARNING

### CALIFORNIA Proposition 65 Warning

**This product contains a chemical or chemicals known to the State of California to cause cancer, birth defects, or reproductive harm.**

**The engine exhaust from this product contains chemicals known to the State of California to cause cancer, birth defects, or other reproductive harm.**

**Use of this product may cause exposure to chemicals known to the State of California to cause cancer, birth defects, or other reproductive harm.**

## ▲ DANGER

There may be buried utility lines in the work area. If you dig into them, you may cause a shock or explosion.

Have the property or work area marked for buried lines and do not dig in marked areas. Contact your local marking service or utility company to have the property marked (for example, in the United States, call 811 for the nationwide marking service).

This spark ignition system complies with Canadian ICES-002.

Because in some areas there are local, state, or federal regulations requiring that a spark arrester be used on the engine of this machine, a spark arrester is available as an option. If you require a spark arrester, contact your Authorized Toro Service Dealer.

Genuine Toro spark arresters are approved by the USDA Forestry Service.

**Important:** It is a violation of California Public Resource Code Section 4442 to use or operate the engine on any forest-covered, brush-covered, or grass-covered land without a spark arrester muffler maintained in working order, or the engine constricted, equipped, and maintained for the prevention of fire. Other states or federal areas may have similar laws.

The enclosed *Engine Owner's Manual* is supplied for information regarding the US Environmental Protection Agency (EPA) and the California Emission Control Regulation of emission systems, maintenance, and warranty. Replacements may be ordered through the engine manufacturer.

# Introduction

This machine is designed to grind and remove tree stumps and surface roots. It is not intended to cut rock or any other material other than wood and the soil around a stump.

Read this information carefully to learn how to operate and maintain your product properly and to avoid injury and product damage. You are responsible for operating the product properly and safely.

You may contact Toro directly at [www.Toro.com](http://www.Toro.com) for product and accessory information, help finding a dealer, or to register your product.

Whenever you need service, genuine Toro parts, or additional information, contact an Authorized Service Dealer or Toro Customer Service and have the model and serial numbers of your product ready. Figure 1 illustrates the location of the model and serial numbers on the product. Write the numbers in the space provided.

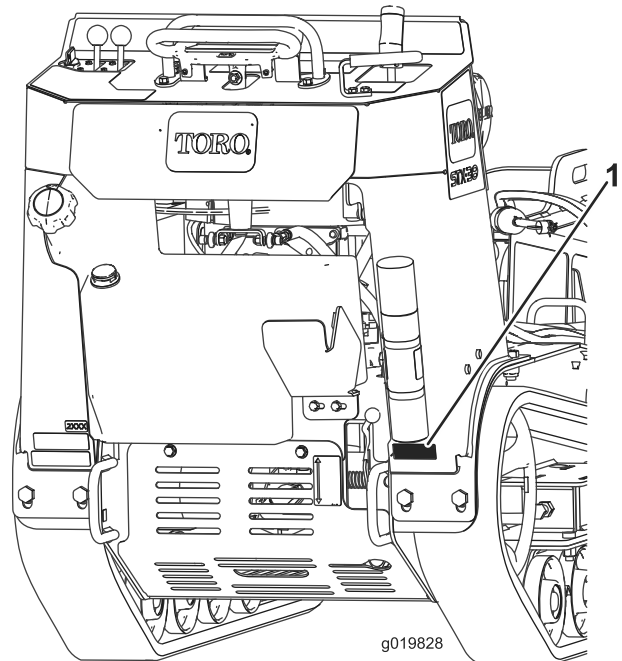


Figure 1

1. Model and serial number plate

Model No. \_\_\_\_\_

Serial No. \_\_\_\_\_

This manual identifies potential hazards and has safety messages identified by the safety alert symbol (Figure 2), which signals a hazard that may cause serious injury or death if you do not follow the recommended precautions.



Figure 2

1. Safety alert symbol

This manual uses 2 words to highlight information.

**Important** calls attention to special mechanical information and **Note** emphasizes general information worthy of special attention.

# Contents

- Introduction ..... 2
- Safety ..... 4
  - Safe Operating Practices ..... 4
  - Sound Pressure ..... 6
  - Sound Power ..... 6
  - Hand-Arm Vibration Level ..... 6
  - Slope Indicator ..... 7
  - Safety and Instructional Decals ..... 8
- Setup ..... 11
  - Checking Fluid Levels ..... 11
  - Charging the Battery ..... 11
  - Opening the Lift Valve ..... 11
- Product Overview ..... 11
  - Controls ..... 11
  - Specifications ..... 15
  - Attachments/Accessories ..... 15
- Operation ..... 15
  - Adding Fuel ..... 15
  - Checking the Engine Oil Level ..... 16
  - Starting and Stopping the Engine ..... 16
  - Stopping the Machine ..... 17
  - Moving a Non-functioning Machine ..... 17
  - Grinding a Stump ..... 18
  - Securing the Machine for Transport ..... 18
  - Lifting the Machine ..... 19
  - Operating Tips ..... 19
- Maintenance ..... 20
  - Recommended Maintenance Schedule(s) ..... 20
  - Premaintenance Procedures ..... 21
    - Removing the Front Cover ..... 21
    - Installing the Front Cover ..... 21
    - Removing the Bottom Shield ..... 21
    - Installing the Bottom Shield ..... 21
- Lubrication ..... 22
  - Greasing the Machine ..... 22
- Engine Maintenance ..... 23
  - Servicing the Air Cleaner ..... 23
  - Servicing the Engine Oil ..... 23
  - Servicing the Spark Plugs ..... 26
- Fuel System Maintenance ..... 27
  - Draining the Fuel Tank ..... 27
  - Replacing the Fuel Filter ..... 27
- Electrical System Maintenance ..... 28

- Servicing the Battery ..... 28
- Replacing the Fuses ..... 30
- Drive System Maintenance ..... 30
  - Servicing the Tracks ..... 30
- Cooling System Maintenance ..... 32
  - Servicing the Engine Oil Cooler ..... 32
  - Cleaning the Engine Screen ..... 33
- Belt Maintenance ..... 33
  - Replacing the Pump Drive Belt ..... 33
- Controls System Maintenance ..... 34
  - Adjusting the Traction Control Alignment ..... 34
  - Adjusting the Traction Control Neutral Position ..... 35
  - Adjusting the Tracking of the Traction Control, Full Forward Position ..... 35
- Hydraulic System Maintenance ..... 36
  - Checking the Hydraulic Fluid Level ..... 36
  - Replacing the Hydraulic Filter ..... 36
  - Changing the Hydraulic Fluid ..... 36
  - Checking the Hydraulic Lines ..... 37
- Grinder Maintenance ..... 38
  - Replacing the Teeth ..... 38
  - Cleaning ..... 38
    - Removing Debris from the Machine ..... 38
- Storage ..... 39
- Troubleshooting ..... 40
- Schematics ..... 41

# Safety

Improper use or maintenance can result in injury. To reduce the potential for injury, comply with these safety instructions and always pay attention to the safety alert symbol **▲**, which means: *Caution, Warning, or Danger*—personal safety instruction. Failure to comply with the instruction may result in personal injury or death.

## Safe Operating Practices

This product is capable of amputating hands and feet. Always follow all safety instructions to avoid serious injury or death.

### **▲ WARNING**

**Engine exhaust contains carbon monoxide, an odorless, deadly poison that can kill you.**

**Do not run the engine indoors or in an enclosed area.**

## Training

- Read the *Operator's Manual* and other training material. If the operator(s) or mechanic(s) can not read English, it is the owner's responsibility to explain this material to them.
- Become familiar with the safe operation of the equipment, operator controls, and safety signs.
- All operators and mechanics should be trained. The owner is responsible for training the users.
- Never let children or untrained people operate or service the equipment. Local regulations may restrict the age of the operator.
- The owner/user can prevent and is responsible for accidents or injuries occurring to himself or herself, other people or property.

## Preparation

- Evaluate the terrain to determine what accessories and attachments are needed to properly and safely perform the job. Only use accessories and attachments approved by the manufacturer.
- Wear appropriate clothing including hard hat, a **full face shield**, safety glasses, long pants, safety shoes, and hearing protection. Long hair, loose clothing or jewelry may get tangled in moving parts.
- Inspect the area where the equipment is to be used and remove all objects such as rocks, toys, and wire which can be thrown by the machine.
- Use extra care when handling gasoline and other fuels. They are flammable and vapors are explosive.
  - Use only an approved container
  - Never remove the gas cap or add fuel with the engine running. Allow the engine to cool before refueling. Do not smoke.

- Never refuel or drain the machine indoors.

- Check that the operator presence controls, safety switches, and shields are attached and functioning properly. Do not operate unless they are functioning properly.

## Operation

- Never run an engine in an enclosed area.
- Only operate in good light, keeping away from holes and hidden hazards.
- Be sure all drives are in neutral before starting the engine. Only start the engine from the operator's position.
- Slow down and use extra care on hillsides. Be sure to travel in the recommended direction on hillsides. Turf conditions can affect the machine's stability.
- Slow down and use caution when making turns and when changing directions on slopes.
- Never operate with the guards not securely in place. Be sure all interlocks are attached, adjusted properly, and functioning properly.
- Do not change the engine governor setting or overspeed the engine.
- Stop on level ground, lower the grinder, disengage the hydraulics, and shut off the engine before leaving the operator's position for any reason.
- Keep hands and feet away from the moving grinder wheel and teeth.
- Look behind and down before backing up to be sure of a clear path.
- Never carry passengers and keep pets and bystanders away.
- Slow down and use caution when making turns and crossing roads and sidewalks.
- Do not operate the machine under the influence of alcohol or drugs.
- Use care when loading or unloading the machine into a trailer or truck.
- Use care when approaching blind corners, shrubs, trees, or other objects that may obscure vision.
- Ensure that the area is clear of other people before operating the machine. Stop the machine if anyone enters the area.
- Never leave a running machine unattended. Always lower the grinder, stop the engine, and remove the key before leaving.
- Never jerk the controls; use a steady motion.
- Watch for traffic when operating near or crossing roadways.
- Do not touch parts which may be hot from operation. Allow them to cool before attempting to maintain, adjust, or service.
- Ensure that you operate the machine in areas where there are no obstacles in close proximity to the operator.

Failure to maintain adequate distance from trees, walls, and other barriers may result in injury as the machine backs up during operation if the operator is not attentive to the surroundings. Only operate the unit in areas where there is sufficient clearance for the operator to safely maneuver the product.

- Before grinding, have the area marked for underground utilities, and do not grind into the ground in marked areas.
- Locate the pinch point areas marked on the machine and keep hands and feet away from these areas.
- Lightning can cause severe injury or death. If lightning is seen or thunder is heard in the area, do not operate the machine; seek shelter.

## Slope Operation

Slopes are a major factor related to loss-of-control and tip-over accidents, which can result in severe injury or death. All slopes require extra caution.

- Do not operate the machine on hillsides or slopes exceeding the angles recommended in the following table.

Front Facing Uphill	Rear Facing Uphill	Side Facing Uphill
16°	16°	16°

**Note:** See also the Slope Indicator (page 7).

- **Operate up and down slopes with the front end of the machine uphill.**
- Remove obstacles such as rocks, tree limbs, etc. from the work area. Watch for holes, ruts, or bumps, as uneven terrain could overturn the machine. Tall grass can hide obstacles.
- Use only Toro-approved accessories. Accessories can change the stability and the operating characteristics of the machine. Warranty may be voided if used with unapproved accessories.
- Keep all movements on slopes slow and gradual. Do not make sudden changes in speed or direction.
- Avoid starting or stopping on a slope. If the machine loses traction, proceed slowly, straight down the slope.
- Avoid turning on slopes. If you must turn, turn slowly and keep the heavy end of the machine uphill.
- Do not operate near drop-offs, ditches, or embankments. The machine could suddenly turn over if a track goes over the edge of a cliff or ditch, or if an edge caves in.
- Do not operate on wet grass. Reduced traction could cause sliding.
- Do not park the machine on a hillside or slope without lowering the grinder to the ground and chocking the tracks.

## Maintenance and Storage

- Disengage the hydraulics, lower the grinder, stop the engine, and remove the key. Wait for all movement to stop before adjusting, cleaning, or repairing.
- Clean debris from the grinder, drives, mufflers, and engine to help prevent fires. Clean up oil or fuel spillage.
- Let the engine cool before storing and do not store near flame.
- Do not store fuel near flames or drain indoors.
- Park the machine on level ground. Never allow untrained personnel to service the machine.
- Use jack stands to support components when required.
- Carefully release pressure from components with stored energy.
- Disconnect the battery or remove the spark plug wires before making any repairs. Disconnect the negative terminal first and the positive last. Reconnect positive first and negative last.
- Keep hands and feet away from moving parts. If possible, do not make adjustments with the engine running.
- Keep all parts in good working condition and all hardware tightened. Replace all worn or damaged decals.
- Keep nuts and bolts tight. Keep equipment in good condition.
- Never tamper with safety devices.
- Keep the machine free of grass, leaves, or other debris build-up. Clean up oil or fuel spillage. Allow the machine to cool before storing.
- Use extra care when handling gasoline and other fuels. They are flammable and vapors are explosive.
  - Use only an approved container.
  - Never remove the gas cap or add fuel when the engine is running. Allow the engine to cool before refueling. Do not smoke.
  - Never refuel the machine indoors.
  - Never store the machine or fuel container inside where there is an open flame, such as near a water heater or furnace.
  - Never fill a container while it is inside a vehicle, trunk, pick-up bed, or any surface other than the ground.
  - Keep container nozzle in contact with the tank during filling.
- Stop and inspect the equipment if you strike an object. Make any necessary repairs before restarting.
- Use only genuine Toro replacement parts to ensure that original standards are maintained.
- Battery safety:
  - Charge batteries in an open, well ventilated area, away from spark and flames. Unplug the charger before connecting or disconnecting it from the battery. Wear protective clothing and use insulated tools.

- Battery acid is poisonous and can cause burns. Avoid contact with skin, eyes, and clothing. Protect your face, eyes, and clothing when working with a battery.
- Battery gases can explode. Keep cigarettes, sparks and flames away from the battery.
- Keep your body and hands away from pin hole leaks or nozzles that eject high pressure hydraulic fluid. Use cardboard or paper to find hydraulic leaks; never use your hands. Hydraulic fluid escaping under pressure can penetrate skin and cause injury requiring surgery within a few hours by a qualified surgeon or gangrene may result.

## Sound Pressure

This unit has a sound pressure level at the operator's ear of 91 dBA, which includes an Uncertainty Value (K) of 1 dBA.

Sound pressure level was determined according to the procedures outlined in EN ISO 11201.

The sound pressure level will vary depending on conditions.

## Sound Power

This unit has a sound power level of 109 dBA, which includes an Uncertainty Value (K) of 3.75 dBA.

The sound power level was determined with no load according to the procedures outlined in ISO 3744.

## Hand-Arm Vibration Level

**Declared in accordance with EN 12096**

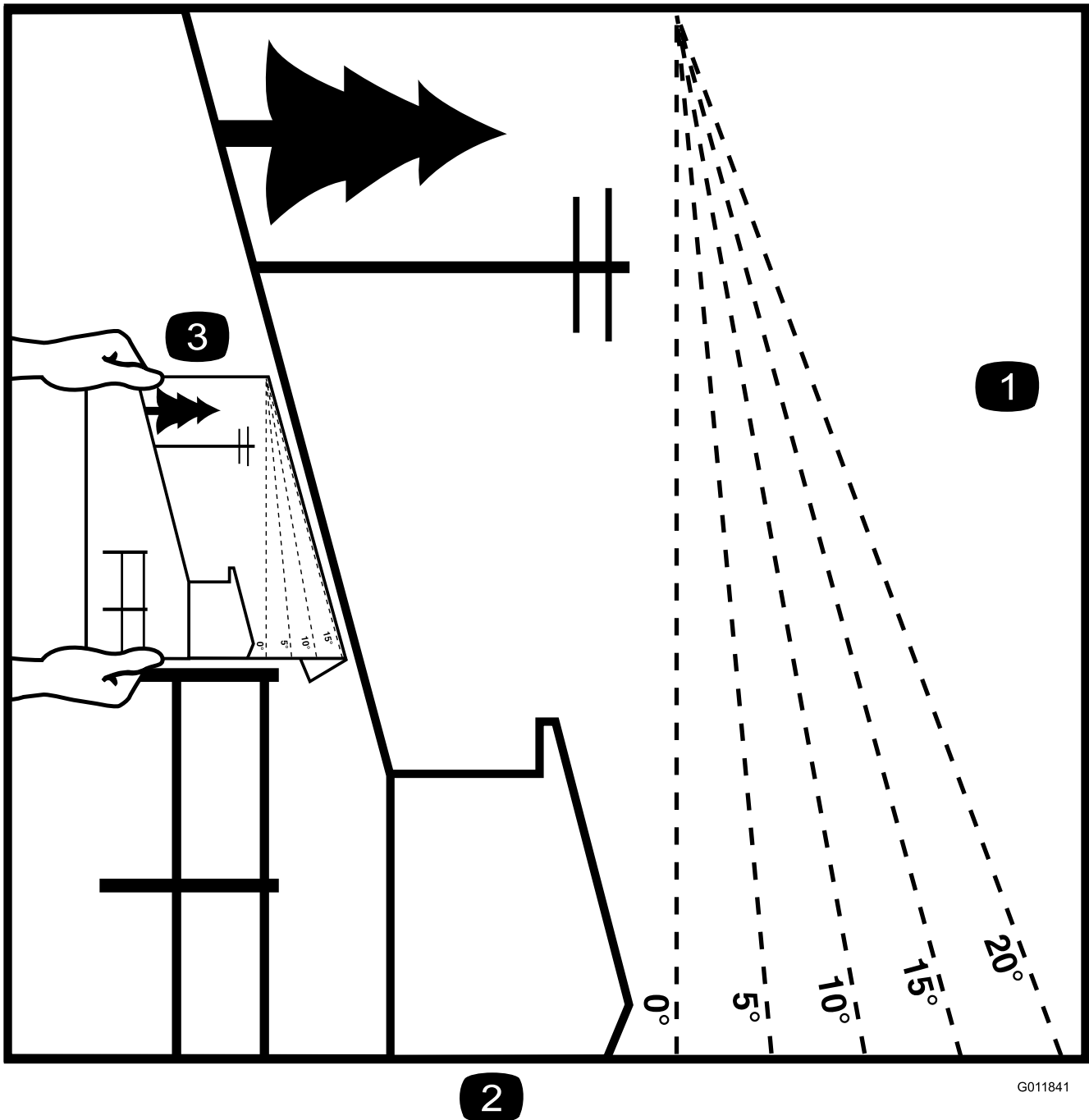
Measured vibration level for right hand = 2.2 m/s<sup>2</sup>

Measured vibration level for left hand = 2.3 m/s<sup>2</sup>

Uncertainty Value (K) = 1.2 m/s<sup>2</sup>

Measured values were determined according to the procedures outlined in EN ISO 20643.

# Slope Indicator



2

G011841

Figure 3

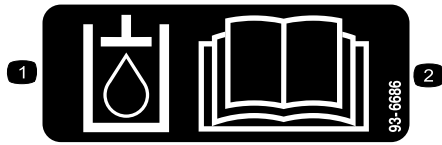
This page may be copied for personal use.

1. To determine the maximum slope you can safely operate the machine on, refer to **Slope Operation (page 5)**. Use the slope indicator to determine the degree of slope of hills before operating. **Do not operate this machine on a slope greater than that specified in Slope Operation (page 5)**. Fold along the appropriate line to match the recommended slope.
2. Align this edge with a vertical surface, a tree, building, fence pole, etc.
3. Example of how to compare slope with folded edge.

# Safety and Instructional Decals

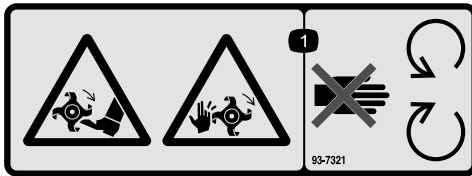


Safety decals and instructions are easily visible to the operator and are located near any area of potential danger. Replace any decal that is damaged or lost.



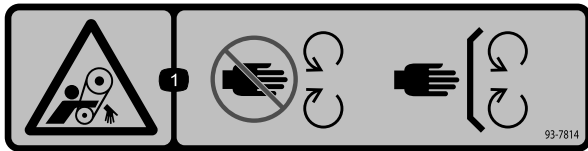
93-6686

1. Hydraulic oil
2. Read the Operator's Manual.



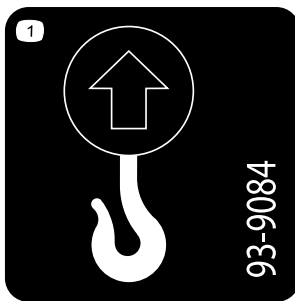
93-7321

1. Cutting/dismemberment hazard of hands and feet, rotating knives/blades—stay away from moving parts.



93-7814

1. Entanglement hazard, belt—stay away from moving parts.



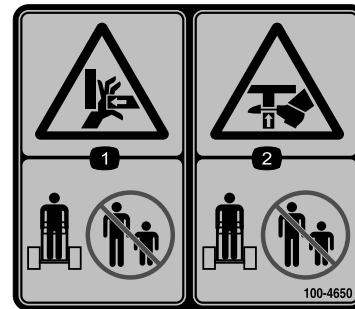
93-9084

1. Lift point
2. Tie-down point



93-9363

1. Parking brake
2. Locked
3. Unlocked



100-4650

1. Crushing hazard of hand—keep bystanders a safe distance from the machine.
2. Crushing hazard of foot—keep bystanders a safe distance from the machine.



107-9366

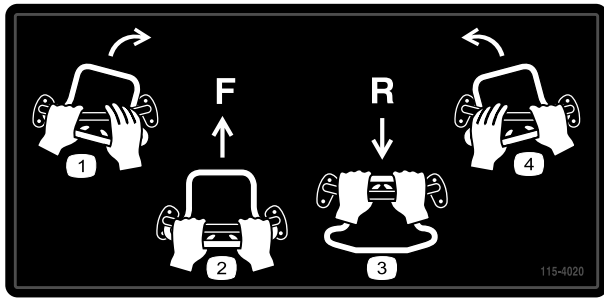
1. Thrown object hazard—keep bystanders a safe distance from the machine.



115-2047

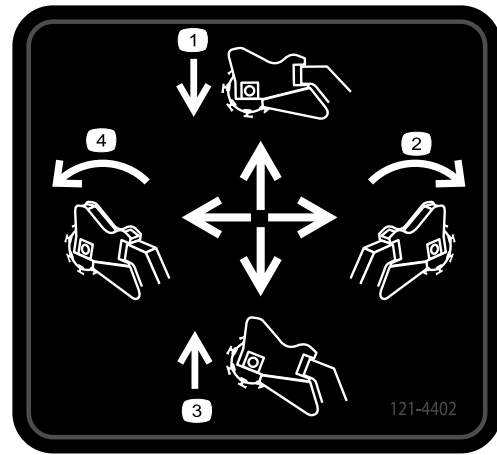
1. Warning—do not touch the hot surface.





115-4020

- |               |              |
|---------------|--------------|
| 1. Turn right | 3. Reverse   |
| 2. Forward    | 4. Turn left |



121-4402

- |  |  |
|--|--|
| 1. Push forward to lower the stump grinder           | 3. Pull back to raise the stump grinder            |
| 2. Move right to move the stump grinder to the right | 4. Move left to move the stump grinder to the left |

**CALIFORNIA SPARK ARRESTER WARNING**

Operation of this equipment may create sparks that can start fires around dry vegetation. A spark arrester may be required. The operator should contact local fire agencies for laws or regulations relating to fire prevention requirements. 117-2718

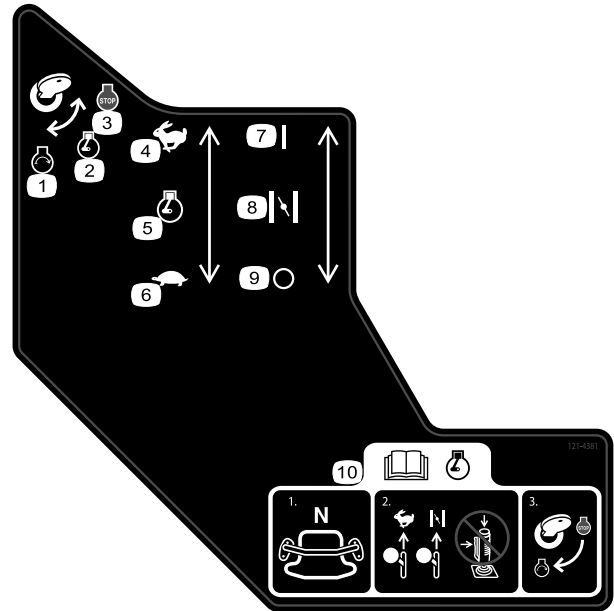
117-2718



**Battery Symbols**

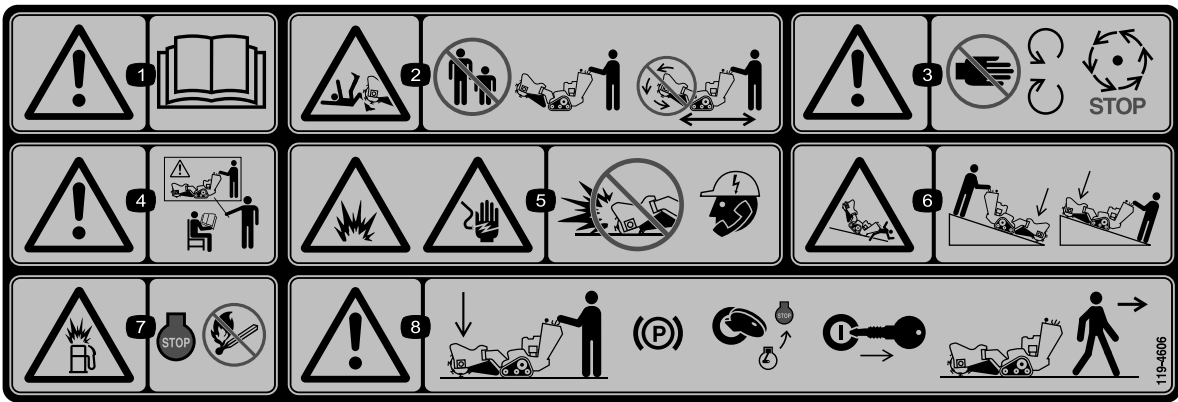
Some or all of these symbols are on your battery

- |  |  |
|--|--|
| 1. Explosion hazard                    | 6. Keep bystanders a safe distance from the battery.                           |
| 2. No fire, open flame, or smoking.    | 7. Wear eye protection; explosive gases can cause blindness and other injuries |
| 3. Caustic liquid/chemical burn hazard | 8. Battery acid can cause blindness or severe burns.                           |
| 4. Wear eye protection                 | 9. Flush eyes immediately with water and get medical help fast.                |
| 5. Read the <i>Operator's Manual</i> . | 10. Contains lead; do not discard.   |



121-4381

- |                 |  |
|-----------------|--|
| 1. Engine—start | 6. Slow  |
| 2. Engine—run   | 7. On  |
| 3. Engine—stop  | 8. Choke   |
| 4. Fast         | 9. Off   |
| 5. Engine—run   | 10. Read the <i>Operator's Manual</i> before starting the engine—1. Ensure the traction control is in Neutral; 2. Move the throttle to Fast, the Choke to on, and do not touch the joystick; 3. Turn the key to start the engine.) |



119-4606

1. Warning—read the *Operator's Manual*.
2. Cutting/dismemberment hazard; grinder—keep bystanders a safe distance from the machine; do not operate the grinder head while transporting the machine.
3. Warning—stay away from moving parts; wait for all moving parts to stop.
4. Warning—do not operate this machine unless you are trained.
5. Explosion and electric shock hazard—do not dig in areas with buried utility lines; contact local power organizations before digging.
6. Tipping/crushing hazard—lower the cutter head when operating on slopes.
7. Explosion hazard, fueling—stop the engine and extinguish all flames when fueling.
8. Warning—lower the grinder head, set the parking brake (if applicable), stop the engine, remove the ignition key before leaving the machine.



121-4382

1. Read the *Operator's Manual* for information on operating the grinder—1) Grind horizontally along the edge of the stump; 2) Lower the grinder slightly into the stump; 3) Grind horizontally down to ground level; 4) Move the grinder forward.
2. Do not start grinding in the middle of the stump; start grinding at the edge of the stump.
3. 1) To power the grinder, press the safety lock and the trigger together; 2) To keep the grinder running, hold the trigger.

# Setup

## Checking Fluid Levels

Before starting the engine for the first time, check the engine oil and hydraulic fluid levels; refer to Checking the Engine Oil Level (page 16) and Checking the Hydraulic Fluid Level (page 36) for more information.

## Charging the Battery

Charge the battery; refer to Charging the Battery (page 29) for more information.

## Opening the Lift Valve

Before you can raise the grinder and move the machine, you must open the lift valve located under the control panel (Figure 4). Turn the knob counter clockwise to allow you to lift the grinder. The further you turn the knob the faster the head will raise and lower when activated.

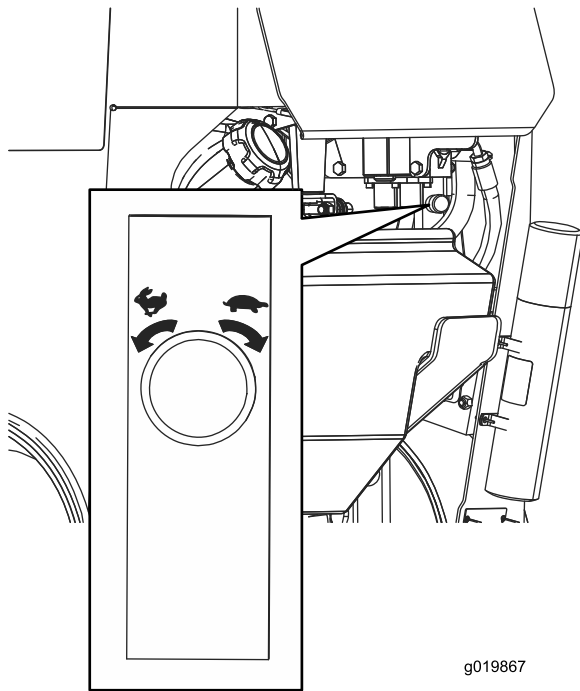


Figure 4

# Product Overview

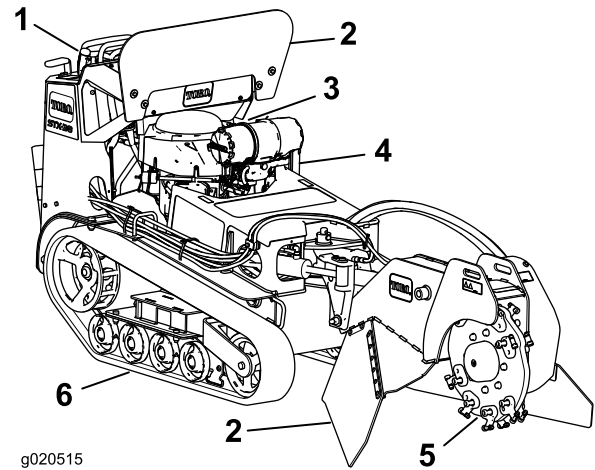


Figure 5

- |                  |            |            |
|------------------|------------|------------|
| 1. Control panel | 3. Engine  | 5. Grinder |
| 2. Chip shield   | 4. Battery | 6. Track   |

## Controls

Become familiar with all the controls (Figure 6) before you start the engine and operate the machine.

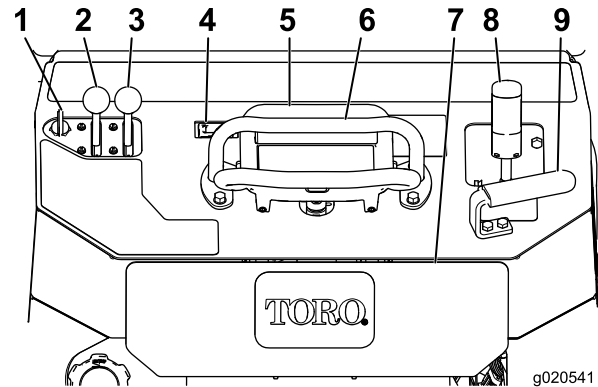


Figure 6

- |                     |                          |
|---------------------|--------------------------|
| 1. Key switch       | 6. Reference bar         |
| 2. Throttle lever   | 7. Reverse safety plate  |
| 3. Choke lever      | 8. Grinder control lever |
| 4. Hour meter       | 9. Handle                |
| 5. Traction control |                          |

## Key Switch

The key switch has three positions: off, run, and start.

To start the engine, rotate the key to the start position. Release the key when engine starts and it will move automatically to the run position.

To stop the engine, rotate the key to the off position.

## Throttle Lever

Move the control forward to increase the engine speed and rearward to decrease speed.

## Choke Lever

Before starting a cold engine, move the choke lever forward. After the engine starts, regulate the choke to keep the engine running smoothly. As soon as possible, move the choke lever all the way rearward.

**Note:** A warm engine requires little or no choking.

## Hour Meter

When the engine is off, the hour meter displays the number of hours of operation that have been logged on the machine.

## Reference Bar

When driving the machine, use the reference bar as a handle and a leverage point for controlling the traction control. To ensure smooth, controlled operation, do not take both hands off of the reference bar while operating the machine.

## Parking Brake

To engage the parking brake, lift the lever upwards. To disengage the parking brake, push the lever downwards.

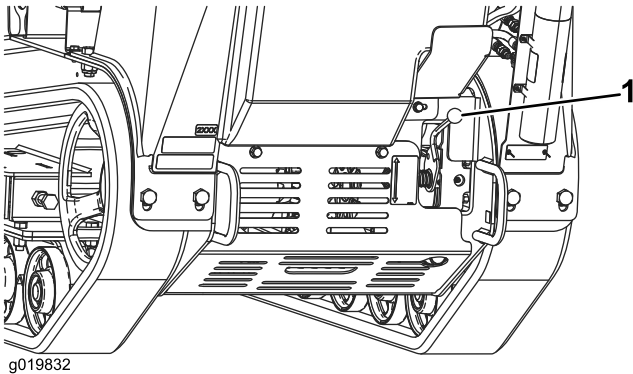


Figure 7

1. Parking brake lever

## Traction Control

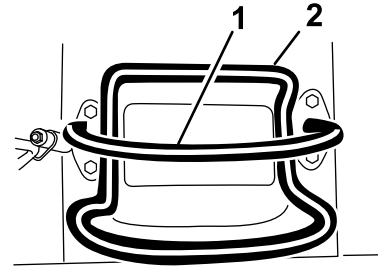


Figure 8

1. Reference bar (does not move to give you a reference point and a fixed handle to hold while operating the traction unit)
2. Traction control (moves to control the machine)

- To move forward, move the traction control forward (Figure 9).

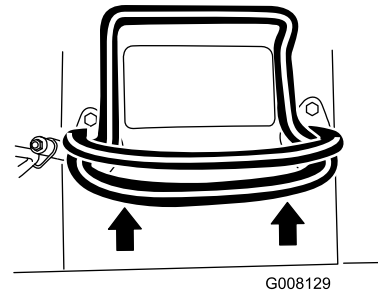


Figure 9

- To move rearward, move the traction control rearward (Figure 10). **When reversing, look behind for obstructions and keep your hands on the reference bar (Figure 8).**

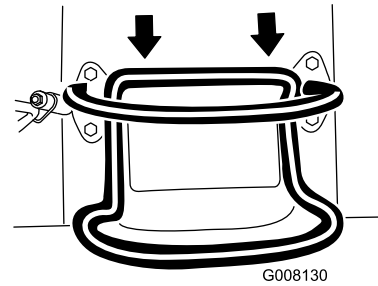


Figure 10

- To turn right, rotate the traction control clockwise (Figure 11).

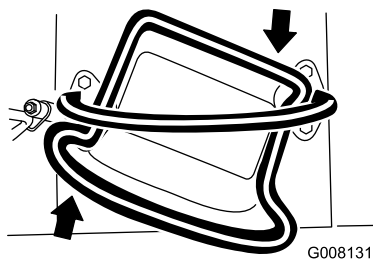


Figure 11

- To turn left, rotate the traction control counterclockwise (Figure 12).

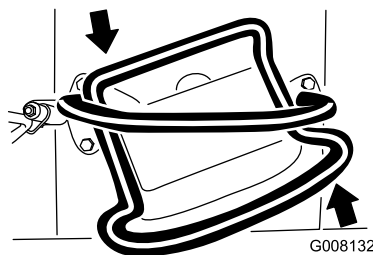


Figure 12

- To stop, release the traction control (Figure 8).

**Note:** The farther you move the traction control in any direction, the faster the machine will move in that direction.

## Grinder Control Lever

Operate the grinder using the grinder control lever as follows:

- To start the grinder (Figure 13), press the red button on the top of the lever, then squeeze the trigger. Once the grinder has started, you can release the red button.
- To stop the grinder (Figure 13), release the trigger for more than a half second.

**Note:** If you are operating the grinder and momentarily release the trigger (i.e., less than a half second) the grinder will continue operation.

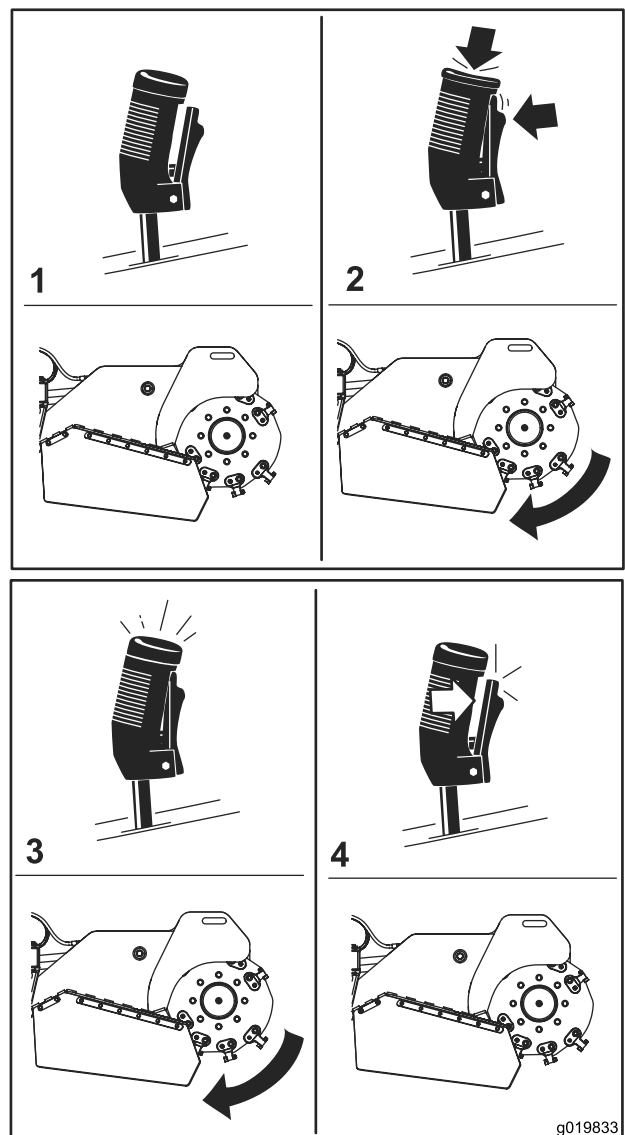


Figure 13

- |                      |                     |
|----------------------|---------------------|
| 1. Neutral           | 3. Run the grinder  |
| 2. Start the grinder | 4. Stop the grinder |

- To raise the grinder, pull back on the lever (Figure 14).

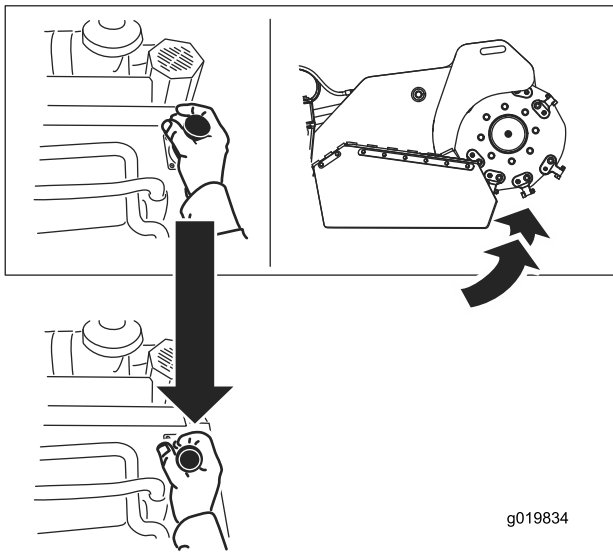


Figure 14

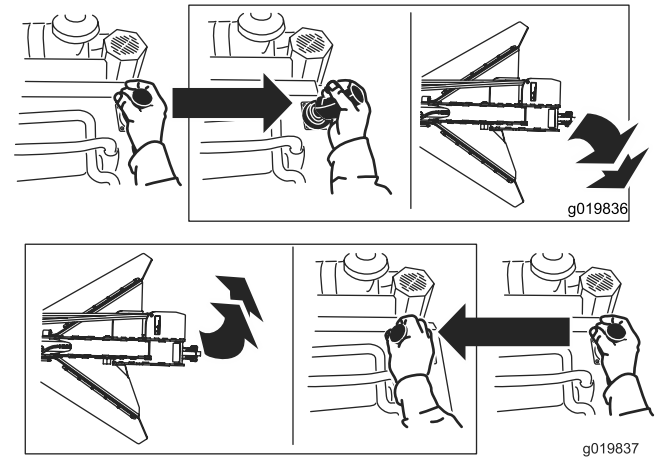


Figure 16

- To lower the grinder, push the lever forward (Figure 15).

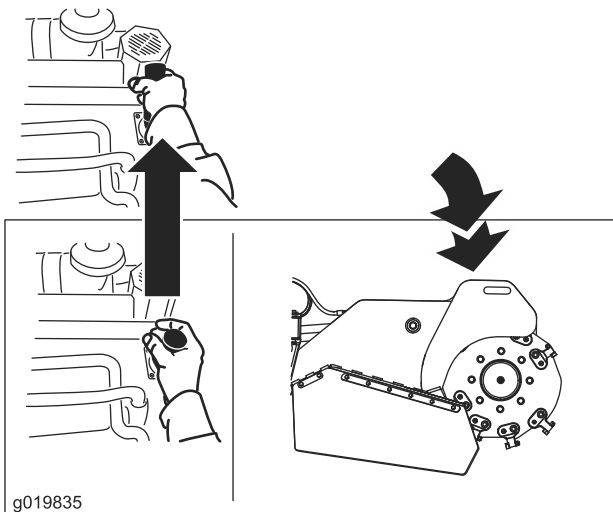


Figure 15

- To rotate the grinder to the right or left, move the lever in the desired direction.

## Lift/Lower Speed Control

You can change the speed the grinder head raises and lowers using the lift/lower speed control, located under the right side of the control panel (Figure 17). Rotate the dial counter clockwise to increase the speed or clockwise to reduce the speed.

If you ever need to stop the machine with the grinder head raised, turn the control dial all the way clockwise to lock the grinder head before leaving the machine or performing any maintenance

### **⚠ CAUTION**

If you leave the grinder head in the Up position without turning the lift/lower speed control dial all the way clockwise, the grinder could lower crushing you or bystanders.

Whenever possible, lower the grinder to the ground before stopping the engine. If you must have the grinder head raised, turn the lift/lower speed control dial all the way clockwise to lock the grinder.

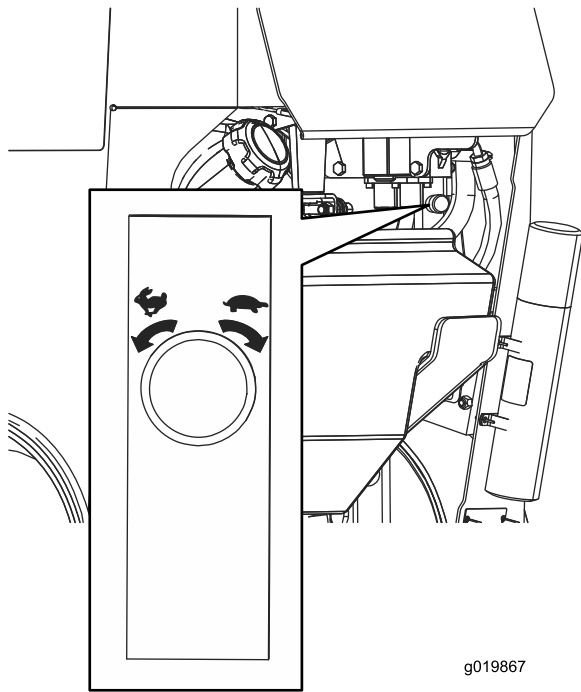


Figure 17

# Operation

**Note:** Determine the left and right sides of the machine from the normal operating position.

**Important:** Before operating, check the fuel and oil level, and remove debris from the machine. Also, ensure that the area is clear of people and debris. You should also know and have marked the locations of all utility lines.

## Adding Fuel

Use unleaded gasoline (87 pump octane minimum). Leaded, regular gasoline may be used if unleaded is not available.

### **▲ DANGER**

In certain conditions, gasoline is extremely flammable and highly explosive. A fire or explosion from gasoline can burn you and others and can damage property.

- Fill the fuel tank outdoors, in an open area, when the engine is cold. Wipe up any gasoline that spills.
- Never fill the fuel tank inside an enclosed trailer.
- Do not fill the fuel tank completely full. Add gasoline to the fuel tank until the level is 1/4 to 1/2 inch (6 to 13 mm) below the bottom of the filler neck. This empty space in the tank allows gasoline to expand.
- Never smoke when handling gasoline, and stay away from an open flame or where gasoline fumes may be ignited by a spark.
- Store gasoline in an approved container and keep it out of the reach of children. Never buy more than a 30-day supply of gasoline.
- Do not operate without entire exhaust system in place and in proper working condition.

## Specifications

**Note:** Specifications and design are subject to change without notice.

Width	86 cm (34 inches)
Length	241 cm (95 inches)
Height	130 cm (51 inches)
Weight	794 kg (1750 lb)

## Attachments/Accessories

A selection of Toro approved attachments and accessories is available for use with the machine to enhance and expand its capabilities. Contact your Authorized Service Dealer or Distributor or go to [www.Toro.com](http://www.Toro.com) for a list of all approved attachments and accessories.

## **▲ DANGER**

In certain conditions during fueling, static electricity can be released causing a spark which can ignite the gasoline vapors. A fire or explosion from gasoline can burn you and others and can damage property.

- Always place gasoline containers on the ground away from your vehicle before filling.
- Do not fill gasoline containers inside a vehicle or on a truck or trailer bed because interior carpets or plastic truck bed liners may insulate the container and slow the loss of any static charge.
- When practical, remove gas-powered equipment from the truck or trailer and refuel the equipment with its wheels on the ground.
- If this is not possible, then refuel such equipment on a truck or trailer from a portable container, rather than from a gasoline dispenser nozzle.
- If a gasoline dispenser nozzle must be used, keep the nozzle in contact with the rim of the fuel tank or container opening at all times until fueling is complete.

**Important:** Do not use methanol, gasoline containing methanol, or gasohol containing more than 10% ethanol because the fuel system could be damaged. Do not mix oil with gasoline.

## **Using Stabilizer/Conditioner**

Use a fuel stabilizer/conditioner in the machine to keep gasoline fresh during storage of 90 days or less. For longer storage it is recommended that the fuel tank be drained.

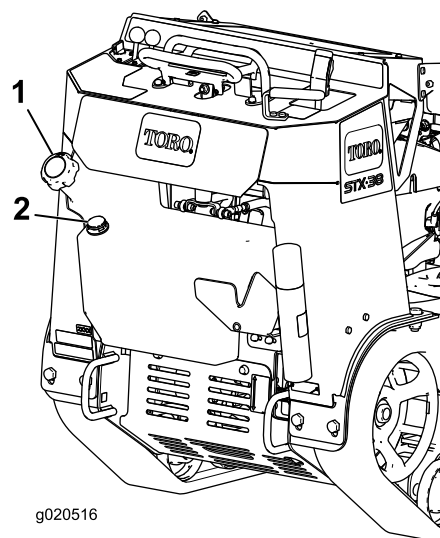
**Important:** Do not use fuel additives containing methanol or ethanol.

Add the correct amount of gas stabilizer/conditioner to the gas.

**Note:** A fuel stabilizer/conditioner is most effective when mixed with fresh gasoline. To minimize the chance of varnish deposits in the fuel system, use fuel stabilizer at all times.

## **Filling the Fuel Tank**

1. Park the machine on a level surface, lower the grinder, and stop the engine.
2. Remove the key and allow the engine to cool.
3. Clean around the fuel tank cap and remove it (Figure 18).



**Figure 18**

1. Fuel tank cap
2. Fuel gauge

4. Add unleaded gasoline to the fuel tank, until the level is 1/4 to 1/2 inch below the bottom of the filler neck.

**Important:** This space in the tank allows gasoline to expand. Do not fill the fuel tank completely full.

5. Install the fuel tank cap securely.
6. Wipe up any gasoline that may have spilled.

## **Checking the Engine Oil Level**

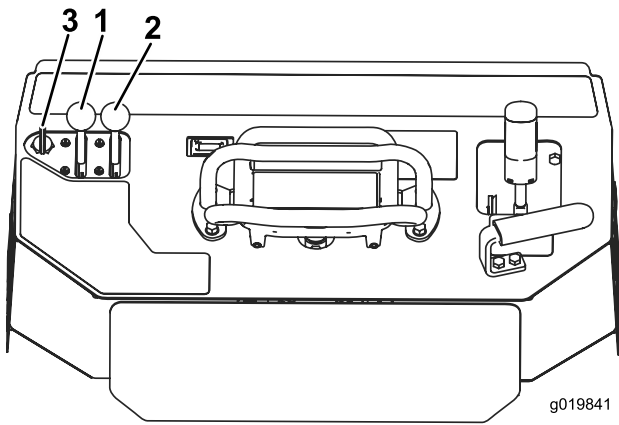
Before you start the engine and use the machine, check the oil level in the engine crankcase; refer to Checking the Engine Oil Level (page 23).

## **Starting and Stopping the Engine**

### **Starting the Engine**

1. Move the throttle lever midway between Slow and Fast positions (Figure 19).





**Figure 19**

- |                   |        |
|-------------------|--------|
| 1. Throttle lever | 3. Key |
| 2. Choke lever    |        |

2. Move the choke lever to the On position (Figure 19).

**Note:** A warm or hot engine may not require choking.

3. Turn the key to the On position (Figure 19). When the engine starts, release the key.

**Important:** Do not engage the starter for more than 10 seconds at a time. If the engine fails to start, allow a 30 second cool-down period between attempts. Failure to follow these instructions can burn out the starter motor.

4. Gradually move the choke lever to the Off position (Figure 19). If the engine stalls or hesitates, engage the choke again until the engine warms up.
5. Move the throttle lever to the desired setting (Figure 19).

**Important:** If the engine is run at high speeds when the hydraulic system is cold (i.e., when the ambient air temperature is near freezing or lower), hydraulic system damage could occur. When starting the engine in cold conditions, allow the engine to run in the middle throttle position for 2 to 5 minutes before moving the throttle to fast (rabbit).

**Note:** If the outdoor temperature is below freezing, store the machine in a garage to keep it warmer and aid in starting.

## Stopping the Engine

1. Stop the grinder and lower it to the ground.
2. Move the throttle lever to the Slow position (Figure 19).
3. Turn the key off (Figure 19).

**Note:** If the engine has been working hard or is hot, let it idle for a minute before turning the ignition key off. This helps cool the engine before it is stopped. In an emergency, the engine may be stopped immediately.

4. Remove the key.

## Stopping the Machine

To stop the machine, release the traction control, move the throttle lever to slow (turtle), lower the grinder to the ground, stop the engine, and remove the key.

### ⚠ CAUTION

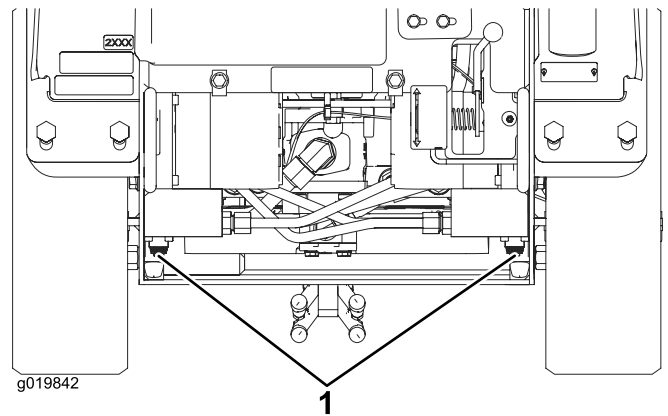
A child or untrained bystander could attempt to operate the machine and be injured.

Remove the key from the switch when leaving the machine, even if just for a few seconds.

## Moving a Non-functioning Machine

**Important:** Do not tow or pull the machine without first opening the tow valves, or the hydraulic system will be damaged.

1. Stop the engine.
2. Remove the bottom shield.
3. Using a wrench, turn the tow valves on the hydraulic motors twice counter-clockwise (Figure 20).



**Figure 20**

1. Tow valves

4. Install the bottom shield and tow the machine as required.
5. When the machine has been repaired, close the tow valves before operating it.

# Grinding a Stump

## **⚠ DANGER**

This product is capable of amputating hands and feet.

- Stay in the operator's position while the grinder is running and keep away from the grinder.
- Keep all bystanders a safe distance from the grinder.
- Stop the grinder immediately if any people or animals enter the work area.

## **⚠ WARNING**

Grinding a stump will throw wood chips, soil, and other debris into the air which could injure you or bystanders.

- Always wear a hard hat and a full face shield when using the grinder.
- Keep all bystanders a safe distance from the grinder.

## **⚠ WARNING**

The grinder is very loud when cutting a stump and can damage your ears.

Always wear hearing protection when using the grinder.

1. Start the engine, raise the grinder, set the throttle lever to the Fast position, and move the machine to the stump to be ground.
2. Use the grinder control lever and the traction control to position the grinder to one side of the front of the stump, about an inch below the top of the stump surface.
3. Start the grinder and wait for it to get up to full speed.
4. Using the grinder control lever, swing the grinder slowly across the face of the stump, cutting away a swath of chips (Figure 21).

**Important:** The grinder will automatically slow down the speed at which it swings into the stump to maintain the optimum flywheel speed and not bog down in the wood.

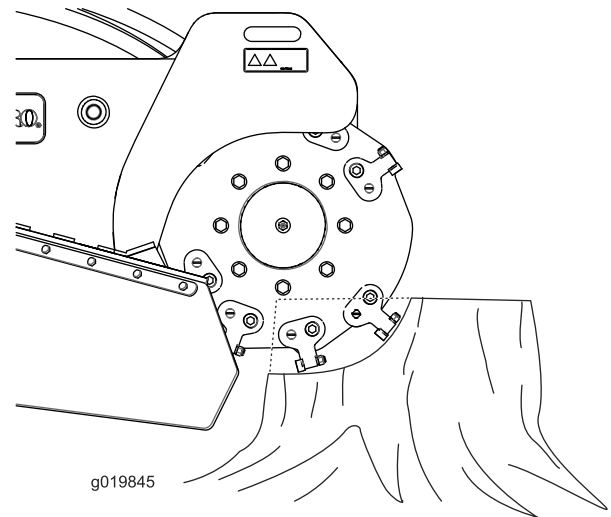


Figure 21

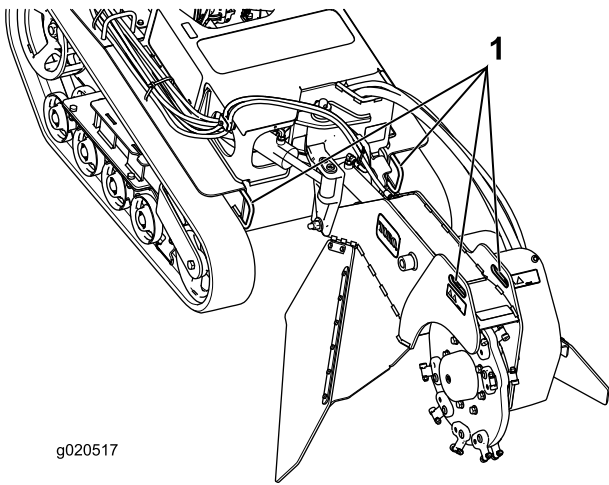
5. Lower the grinder about an inch and swing it back over the stump.
6. Repeat step 5 until you have reached ground level.
7. Raise the grinder so that it is about an inch below the top of the remaining stump, move the machine forward a few inches and repeat steps 4 through 6.
8. Repeat steps 4 through 7 until you have ground off the entire stump.
9. If there are any large roots to be ground, position the grinder over each root and use the traction control and grinder control to move the grinder along the root, grinding it away.

## Securing the Machine for Transport

When transporting the machine on a trailer, always use the following procedure:

**Important:** Do not operate or drive the machine on roadways.

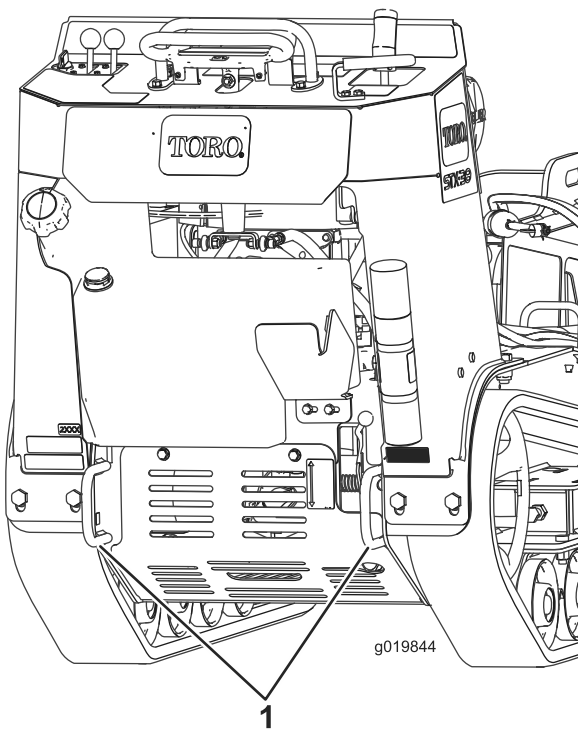
1. Stop the engine.
2. Lower the grinder.
3. Secure the machine to the trailer with chains or straps using the tie-down/lift loops at the front and rear of the machine (Figure 22 and Figure 23). Refer to your local ordinances for trailer and tie-down requirements.



g020517

**Figure 22**

1. Front tie-down loop



g019844

**Figure 23**

1. Rear tie-down loops

## Lifting the Machine

You can lift the machine using the tie-down/lift loops as lift points (Figure 22 and Figure 23).

## Operating Tips

- Clean the area of trash, branches and rocks before operating to prevent equipment damage.

# Maintenance

**Note:** Determine the left and right sides of the machine from the normal operating position.

## Recommended Maintenance Schedule(s)

Maintenance Service Interval	Maintenance Procedure
After the first 50 hours	<ul style="list-style-type: none"> <li>• Check and adjust the track tension.</li> </ul>
Before each use or daily	<ul style="list-style-type: none"> <li>• Grease the machine. (grease immediately after every washing.)</li> <li>• Check the engine oil level.</li> <li>• Clean the engine screen.</li> <li>• Check the condition of the teeth and rotate or replace any that are worn or damaged.</li> <li>• Remove debris from the machine.</li> <li>• Check for loose fasteners.</li> </ul>
After each use	<ul style="list-style-type: none"> <li>• Check the condition of and clean the tracks.</li> </ul>
Every 25 hours	<ul style="list-style-type: none"> <li>• Check the battery electrolyte level.</li> <li>• Check the hydraulic fluid level.</li> </ul>
Every 100 hours	<ul style="list-style-type: none"> <li>• Check and adjust the track tension.</li> <li>• Check the hydraulic lines for leaks, loose fittings, kinked lines, loose mounting supports, wear, weather, and chemical deterioration and repair if necessary.</li> </ul>
Every 150 hours	<ul style="list-style-type: none"> <li>• Inspect the primary filter.</li> <li>• Change the engine oil. Oil filter is recommended. (more often in dirty or dusty conditions)</li> <li>• Replace the fuel filter. (more often in dirty or dusty conditions).</li> <li>• Clean the engine oil cooler.</li> </ul>
Every 200 hours	<ul style="list-style-type: none"> <li>• Replace the hydraulic filter.</li> </ul>
Every 250 hours	<ul style="list-style-type: none"> <li>• Check and grease the road wheels.</li> </ul>
Every 300 hours	<ul style="list-style-type: none"> <li>• Replace the primary air filter. (more often in dusty or sandy conditions)</li> <li>• Check the inner air filter.</li> <li>• Change the engine oil filter.</li> </ul>
Every 400 hours	<ul style="list-style-type: none"> <li>• Change the hydraulic fluid.</li> </ul>
Every 600 hours	<ul style="list-style-type: none"> <li>• Replace the inner air filter.</li> <li>• Replace and gap the spark plugs.</li> </ul>
Every 1,500 hours	<ul style="list-style-type: none"> <li>• Replace all moving hydraulic hoses.</li> </ul>
Yearly or before storage	<ul style="list-style-type: none"> <li>• Check and adjust the track tension.</li> <li>• Touch up chipped paint</li> </ul>

**Important:** Refer to your *Engine Operator's Manual* for additional maintenance procedures.

### **▲ CAUTION**

If you leave the key in the ignition switch, someone could accidentally start the engine and seriously injure you or other bystanders.

Remove the key from the ignition and disconnect the wire from the spark plug before you do any maintenance. Set the wire aside so that it does not accidentally contact the spark plug.

# Premaintenance Procedures

Before opening any of the covers, stop the engine, remove the key, and allow the engine to cool.

## Removing the Front Cover

1. Lower the grinder, stop the engine, remove the key, and allow the machine to cool.

### ⚠ WARNING

If the machine has been running, both the cover and the muffler under the cover will be hot and can cause severe burns if you touch them.

Allow the machine to cool before removing the cover.

2. Loosen the 2 screws securing the front cover to the machine (Figure 24).

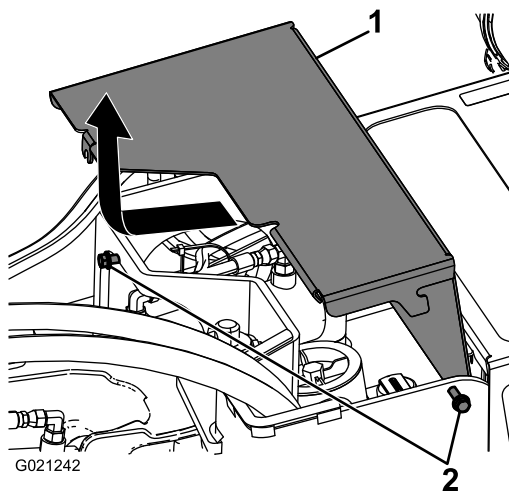


Figure 24

1. Cover
2. Screws

3. Slide the cover forward slightly and pull up to remove the cover (Figure 24).

## Installing the Front Cover

1. Lower the grinder, stop the engine, and remove the key.
2. Slide the front cover into place and tighten the 2 screws securing it to the machine (Figure 24).

## Removing the Bottom Shield

1. Lower the grinder, stop the engine, and remove the key.
2. Loosen the two bolts securing the bottom shield sequentially until the shield is free (Figure 25).

**Important:** The fasteners on the bottom shield are designed to remain on the cover after removal. Loosen both bolts a few turns so that the shield is loose but still attached, then go back and loosen them until the shield comes free. This will prevent you from accidentally stripping the bolts free of the retainers.

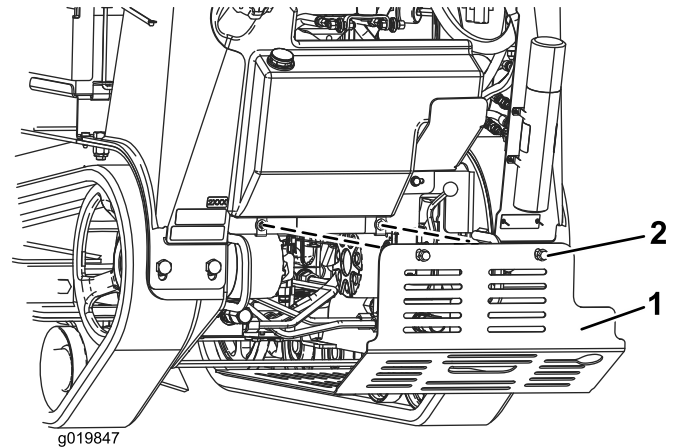


Figure 25

1. Bottom shield
2. Bolts

3. Pull the shield back and out of the machine.

## Installing the Bottom Shield

1. Lower the grinder, stop the engine, and remove the key.
2. Slide the bottom shield into the machine (Figure 25).

**Note:** You may need to lift up on the bottom shield to ensure that it seats correctly.

3. Secure the shield with the bolts you loosened previously.

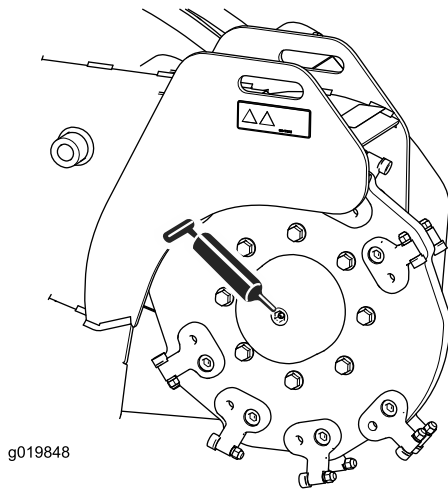
# Lubrication

## Greasing the Machine

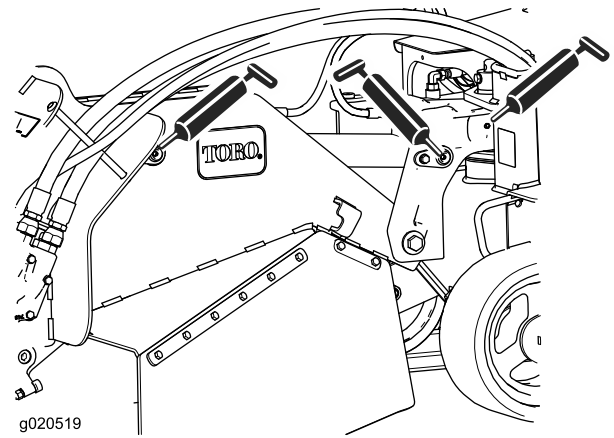
**Service Interval:** Before each use or daily (grease immediately after every washing.)

Grease Type: General-purpose grease.

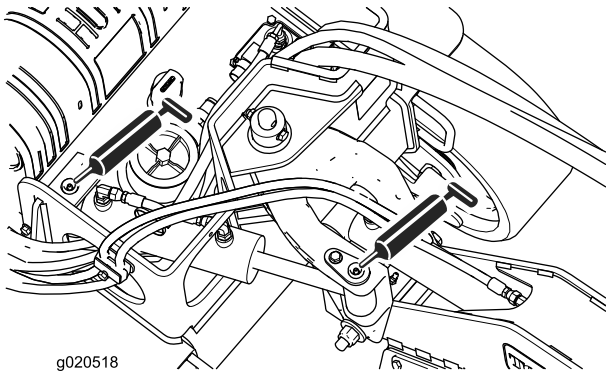
1. Lower the grinder and stop the engine. Remove the key.
2. Clean the grease fittings with a rag.
3. Connect a grease gun to each fitting (Figure 26 through Figure 28).
4. Pump grease into the fittings until grease begins to ooze out of the bearings (approximately 3 pumps).
5. Wipe up any excess grease.



**Figure 26**



**Figure 28**



**Figure 27**

# Engine Maintenance

## Servicing the Air Cleaner

**Service Interval:** Every 150 hours—Inspect the primary filter.

Every 300 hours/Yearly (whichever comes first)—Replace the primary air filter. (more often in dusty or sandy conditions)

Every 300 hours—Check the inner air filter.

Every 600 hours—Replace the inner air filter.

**Note:** Check the filters more frequently if the operating conditions are extremely dusty or sandy.

## Removing the Filters

1. Lower the grinder and stop the engine. Remove the key.
2. Release the latches on the air cleaner and pull the air cleaner cover off the air cleaner body (Figure 29).

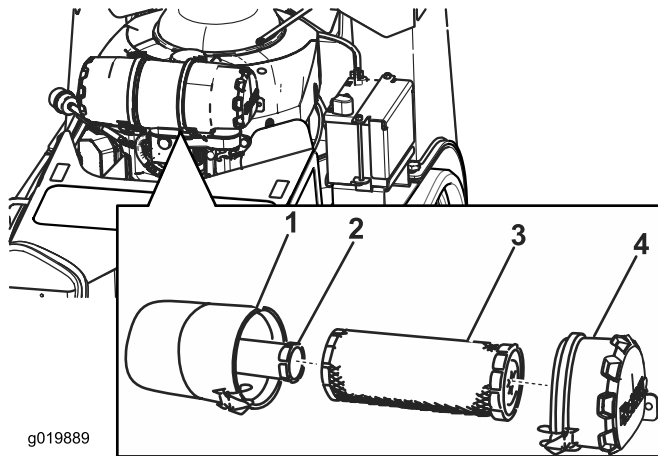


Figure 29

1. Air filter body
2. Safety filter
3. Primary filter
4. Air cleaner cover

3. Clean the inside of the air cleaner cover with compressed air.
4. Gently slide the primary filter out of the air cleaner body (Figure 29).

**Note:** Avoid knocking the filter into the side of the body.

5. Remove the inner filter only if you intend to replace it.

**Important:** Never attempt to clean the inner filter. If the inner filter is dirty, then the primary filter is damaged. Replace both filters.

6. Inspect the primary filter for damage by looking into the filter while shining a bright light on the outside of the filter. Holes in the filter will appear as bright spots. If the filter is damaged discard it.

## Installing the Filters

**Important:** To prevent engine damage, always operate the engine with both air filters and cover installed.

1. If installing new filters, check each filter for shipping damage. Do not use a damaged filter.
2. If the inner filter is being replaced, carefully slide it into the filter body (Figure 29).
3. Carefully slide the primary filter over the inner filter (Figure 29).

**Note:** Ensure that the primary filter is fully seated by pushing on its outer rim while installing it.

**Important:** Do not press on the soft inside area of the filter.

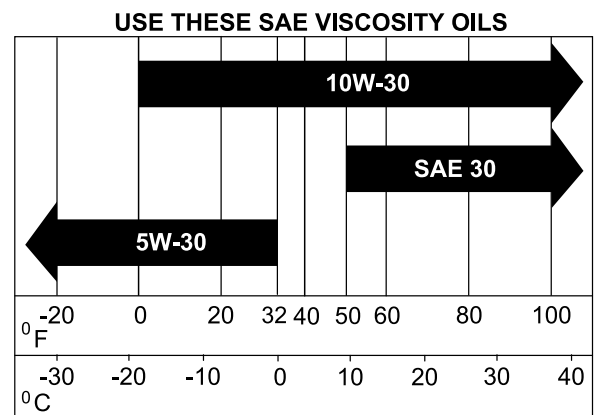
4. Slide the cover onto the air cleaner body and secure it with the latches (Figure 29).

## Servicing the Engine Oil

**Oil Type:** Detergent oil (API service class SJ or higher)

**Oil Capacity:** with a filter change, 99 ounces (2.9 L)

**Viscosity:** See the table below.



g019933

Figure 30

Toro Premium Engine Oil is available from your Authorized Toro Dealer.

**Note:** Use of synthetic oil having 5W-30 rating is acceptable, up to 4 degrees C (40 degrees F).

**Note:** Synthetic oils will provide better starting in extreme cold below -23 degrees C (-10 degrees F).

## Checking the Engine Oil Level

**Service Interval:** Before each use or daily

**Note:** Check the oil when the engine is cold.

## ▲ WARNING

Contact with hot surfaces may cause personal injury.

Keep hands, feet, face, clothing and other body parts away from the muffler and other hot surfaces.

**Important:** Do not overfill the crankcase with oil because damage to the engine may result. Do not run engine with oil below the low mark because the engine may be damaged.

1. Lower the grinder and stop the engine. Remove the key.
2. Check the oil as shown in Figure 31.

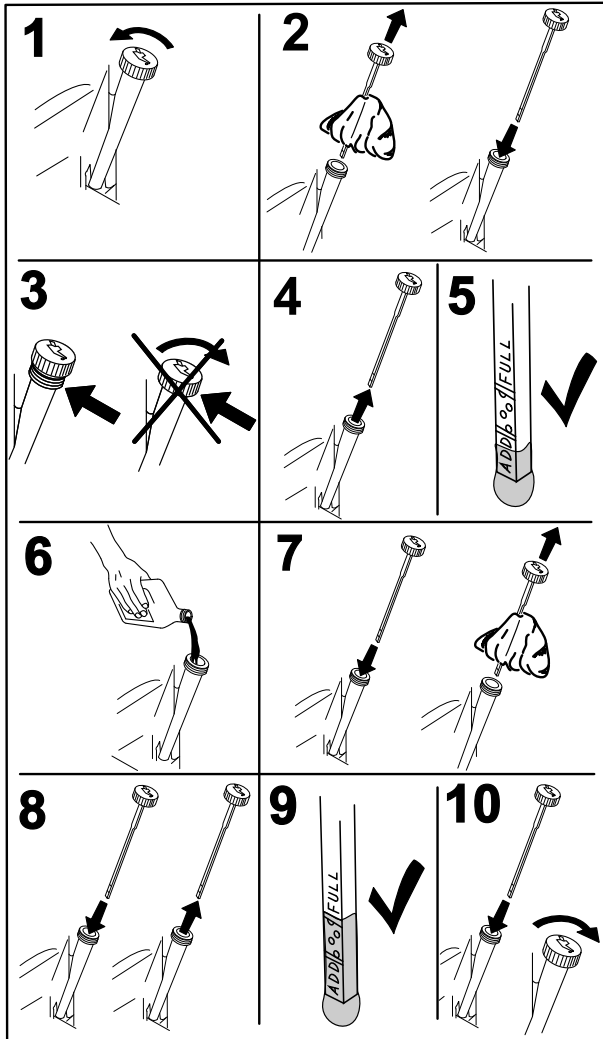


Figure 31

G008792

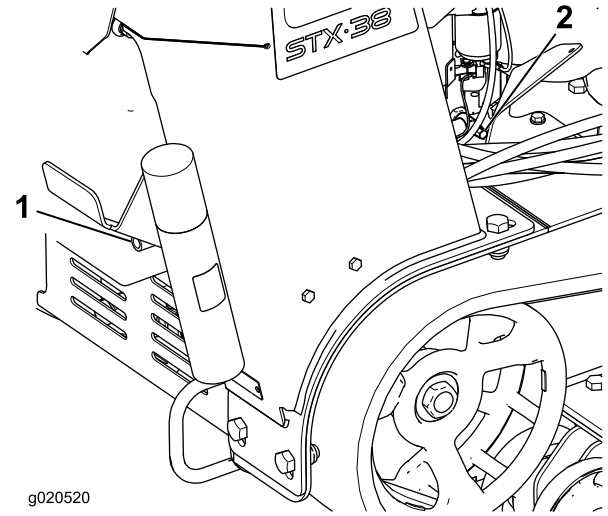
## Changing the Engine Oil

**Service Interval:** Every 150 hours (more often in dirty or dusty conditions)

**Note:** Dispose of the used oil at a recycling center.

1. Start the engine and let it run five minutes. This warms the oil so it drains better.

2. Park the machine so that the rear is slightly lower than the front to ensure the oil drains completely.
3. Lower the grinder and stop the engine. Remove the key.
4. Place a pan below the drain hose. Rotate the oil drain valve to allow oil to drain (Figure 32).



g020520

Figure 32

1. Oil drain hose
2. Oil drain valve

5. When oil has drained completely, close the drain valve.
6. Dispose of the used oil at a recycling center
7. Slowly pour approximately 80% of the specified oil into the filler tube and slowly add the additional oil to bring it to the **Full** mark (Figure 33).

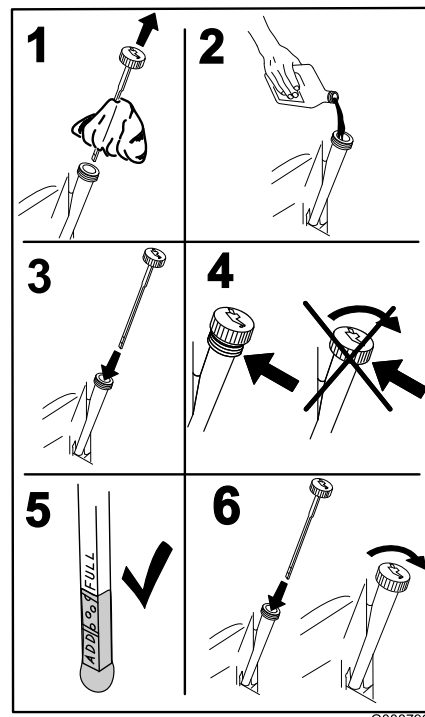


Figure 33

G008796



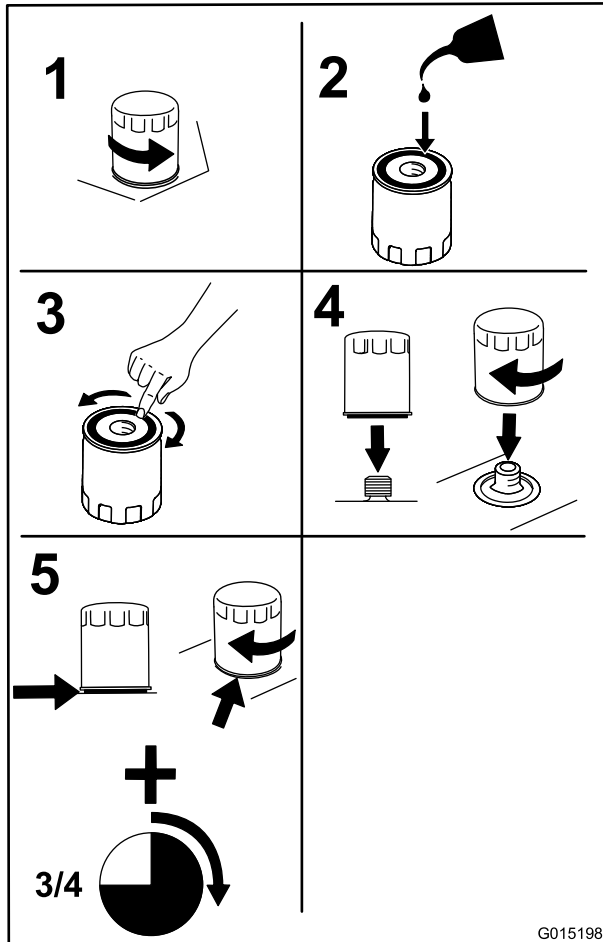
8. Start the engine and drive to a flat area. Check the oil level again.

## Changing the Engine Oil Filter

**Service Interval:** Every 300 hours

**Note:** Change the engine oil filter more frequently when operating conditions are extremely dusty or sandy.

1. Clean the area around the oil filter.
2. Drain the oil from the engine; refer to Changing the Engine Oil (page 24).
3. Change the engine oil filter as shown in Figure 34.



**Figure 34**

**Important:** Thread the oil filter on until the gasket touches the engine and then turn it an extra 3/4 turn.

4. Fill the crankcase with the proper type of new oil.

# Servicing the Spark Plugs

**Service Interval:** Every 600 hours—Replace and gap the spark plugs.

Make sure the air gap between the center and side electrodes is correct before installing the spark plugs. Use a spark plug wrench for removing and installing the spark plugs and a gapping tool/feeler gauge to check and adjust the air gap. Install new spark plugs at the indicated interval.

**Type :** Champion® XC10YC or equivalent

**Air Gap:** 0.030 inch (0.76 mm)

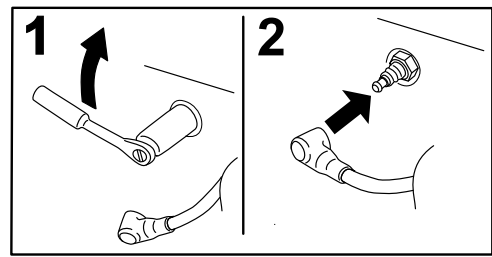
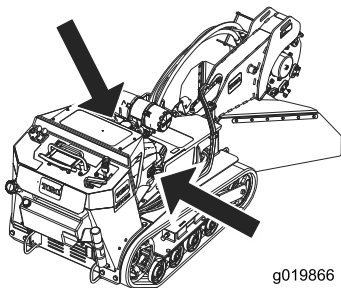


Figure 37

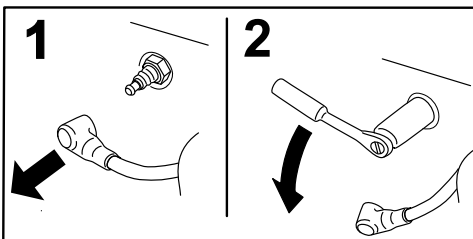
G008795

## Removing the Spark Plugs

1. Lower the grinder and stop the engine. Remove the key.
2. Remove each spark plug.



g019866

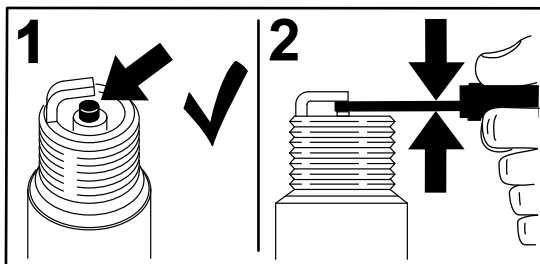


G008791

Figure 35

## Setting the Gap on New Spark Plugs

Set the gap in each new spark plug to 0.030 inches (0.76 mm).



G008794

Figure 36

## Installing the Spark Plugs

Tighten the spark plugs to 20 ft-lb (27 N-m).

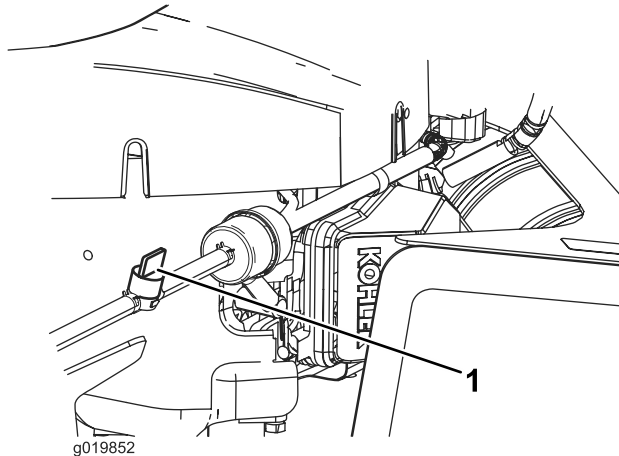
# Fuel System Maintenance

## Draining the Fuel Tank

### **⚠ DANGER**

In certain conditions, gasoline is extremely flammable and highly explosive. A fire or explosion from gasoline can burn you and others and can damage property.

- Drain gasoline from the fuel tank when the engine is cold. Do this outdoors in an open area. Wipe up any gasoline that spills.
  - Never smoke when draining gasoline, and stay away from an open flame or where a spark may ignite the gasoline fumes.
1. Park the machine on a level surface, to ensure that the fuel tank drains completely.
  2. Lower the grinder.
  3. Stop the engine, remove the key, and wait for all moving parts to stop before leaving the operating position.
  4. Turn the fuel shut-off valve to the closed position (Figure 38).



**Figure 38**

1. Fuel shut-off valve

5. Squeeze the ends of the hose clamp on the engine side of the shut-off valve together and slide it up the fuel line away from valve (Figure 38).
6. Pull the fuel line off the valve (Figure 38). Open the fuel shut-off valve and allow the gasoline to drain into a gas can or drain pan.

**Note:** Now is the best time to install a new fuel filter because the fuel tank is empty. Refer to Replacing the Fuel Filter (page 27).

7. Install the fuel line onto the fuel shut-off valve. Slide the hose clamp close to the valve to secure the fuel line.
8. Wipe up any spilled fuel.

## Replacing the Fuel Filter

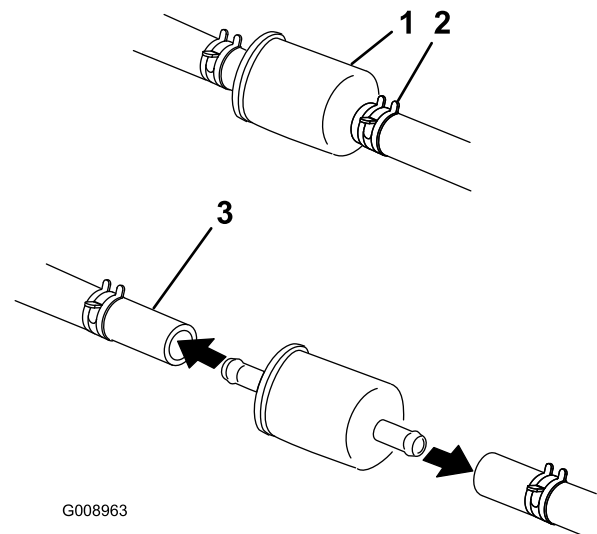
**Service Interval:** Every 150 hours/Yearly (whichever comes first) (more often in dirty or dusty conditions).

Never install a dirty filter if it is removed from the fuel line.

**Note:** Note how the fuel filter is installed in order to install the new filter correctly.

**Note:** Wipe up any spilled fuel.

1. Lower the grinder.
2. Stop the engine, remove the key, and wait for all moving parts to stop before leaving the operating position.
3. Turn the fuel shut-off valve to the closed position (Figure 38).
4. Squeeze the ends of the hose clamps together and slide them away from the filter (Figure 39).



**Figure 39**

1. Fuel filter
2. Hose clamp
3. Fuel line

5. Remove the filter from the fuel lines.
6. Install a new filter and move the hose clamps close to the filter.
7. Turn the fuel shut-off valve to the open position (Figure 38).
8. Check for fuel leaks and repair if needed.
9. Wipe up any spilled fuel.

# Electrical System Maintenance

## Servicing the Battery

**Service Interval:** Every 25 hours—Check the battery electrolyte level.

Always keep the battery clean and fully charged. Use a paper towel to clean the battery case. If the battery terminals are corroded, clean them with a solution of four parts water and one part baking soda. Apply a light coating of grease to the battery terminals to prevent corrosion.

Voltage: 12 V with 280 cold cranking Amps @ 0 degrees F (-18 degrees C).

### ⚠ WARNING

#### CALIFORNIA Proposition 65 Warning

Battery posts, terminals, and related accessories contain lead and lead compounds, chemicals known to the State of California to cause cancer and reproductive harm.  
Wash hands after handling.

### ⚠ DANGER

Battery electrolyte contains sulfuric acid which is a deadly poison and causes severe burns.

Do not drink electrolyte and avoid contact with skin, eyes or clothing. Wear safety glasses to shield your eyes and rubber gloves to protect your hands.

## Removing the Battery

### ⚠ WARNING

Battery terminals or metal tools could short against metal machine components causing sparks. Sparks can cause the battery gasses to explode, resulting in personal injury.

- When removing or installing the battery, do not allow the battery terminals to touch any metal parts of the machine.
- Do not allow metal tools to short between the battery terminals and metal parts of the machine.

### ⚠ WARNING

Incorrect battery cable routing could damage the machine and cables causing sparks. Sparks can cause the battery gasses to explode, resulting in personal injury.

- Always Disconnect the negative (black) battery cable before disconnecting the positive (red) cable.
  - Always Reconnect the positive (red) battery cable before reconnecting the negative (black) cable.
1. Lower the grinder.
  2. Stop the engine, remove the key, and wait for all moving parts to stop before leaving the operating position.
  3. Lift the black rubber cover on the negative cable. Disconnect the negative battery cable from the negative (-) battery terminal (Figure 40).

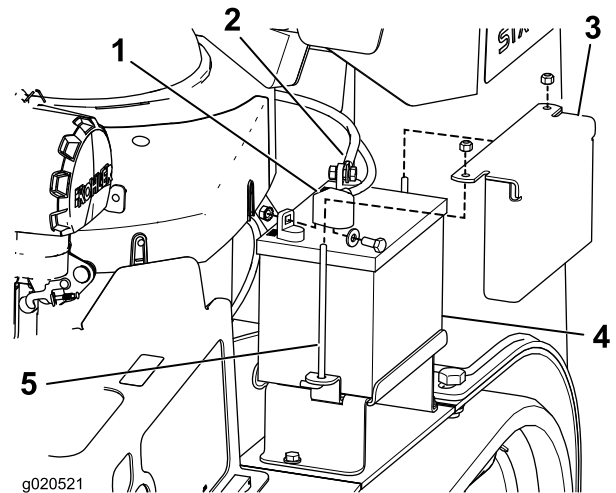


Figure 40

1. Negative cable (rubber cover shown on)
  2. Positive cable (rubber cover shown off)
  3. Battery hold down plate
  4. Battery
  5. J-bolt
4. Slide the red terminal boot off the positive (red) battery terminal. Then remove the positive (red) battery cable (Figure 40).
  5. Remove the hold down plate, j-bolts, and locknuts securing the battery (Figure 40) and remove the battery.

## Installing the Battery

1. Place the battery onto the machine (Figure 40).
2. Secure the battery with the hold down plate, j-bolts, and locknuts.
3. First, install the positive (red) battery cable to positive (+) battery terminal with a nut, washer and bolt (Figure 40). Slide the rubber cover over the post.

- Then install the negative battery cable and ground wire to the negative (-) battery terminal with a nut, washer and bolt (Figure 40). Slide the rubber cover over the post.

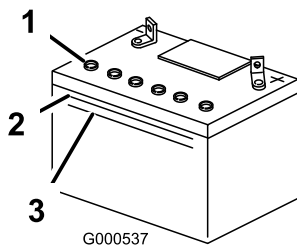
## Checking the Battery Electrolyte Level

### **⚠ DANGER**

Battery electrolyte contains sulfuric acid which is a deadly poison and causes severe burns.

- Do not drink electrolyte and avoid contact with skin, eyes or clothing. Wear safety glasses to shield your eyes and rubber gloves to protect your hands.
- Fill the battery where clean water is always available for flushing the skin.

- Look at the side of the battery. The electrolyte must be up to the **upper line** (Figure 41). Do not allow the electrolyte to fall below the **Lower line** (Figure 41).



**Figure 41**

- |               |               |
|---------------|---------------|
| 1. Vent caps  | 3. Lower line |
| 2. Upper line |               |

- If the electrolyte is low, add the required amount of distilled water; refer to Adding Water to the Battery.

## Adding Water to the Battery

The best time to add distilled water to the battery is just before you operate the machine. This lets the water mix thoroughly with the electrolyte solution.

- Remove the battery from the machine; refer to Removing the Battery.

**Important:** Never fill the battery with distilled water while the battery is installed in the machine. Electrolyte could be spilled on other parts and cause corrosion.

- Clean the top of the battery with a paper towel.
- Remove the vent caps from the battery (Figure 41).
- Slowly pour distilled water into each battery cell until the electrolyte level is up to the Upper line (Figure 41) on the battery case.

**Important:** Do not overfill the battery because electrolyte (sulfuric acid) can cause severe corrosion and damage to the chassis.

- Wait five to ten minutes after filling the battery cells. Add distilled water, if necessary, until the electrolyte level is up to the Upper line (Figure 41) on the battery case.
- Install the battery vent caps.

## Charging the Battery

### **⚠ WARNING**

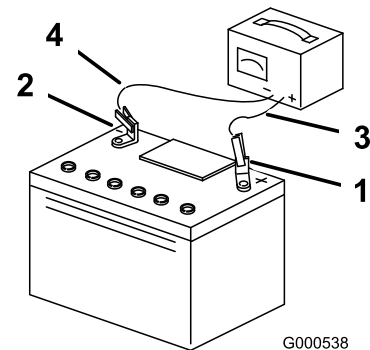
Charging the battery produces gasses that can explode.

Never smoke near the battery and keep sparks and flames away from battery.

**Important:** Always keep the battery fully charged (1.265 specific gravity). This is especially important to prevent battery damage when the temperature is below 32°F (0°C).

- Remove the battery from the chassis; refer to Removing the Battery.
- Check the electrolyte level; refer to Checking the Electrolyte Level.
- Make sure the filler caps are installed in battery. Connect a 3 to 4 amp battery charger to the battery posts. Charge the battery at a rate of 3 to 4 amperes for 4 to 8 hours (12 volts). **Do not overcharge the battery.**
- When the battery is fully charged, unplug the charger from the electrical outlet, then disconnect the charger leads from the battery posts (Figure 42).
- Install the battery onto the machine and connect the battery cables, refer to Installing the Battery.

**Note:** Do not run the machine with the battery disconnected, electrical damage may occur.



**Figure 42**

- |                          |                           |
|--------------------------|---------------------------|
| 1. Positive Battery Post | 3. Red (+) Charger Lead   |
| 2. Negative Battery Post | 4. Black (-) Charger Lead |

# Replacing the Fuses

There are 4 fuses in the electrical system. They are under the control panel on the left side (Figure 43).

Start Circuit	30 amp
Not used	25 amp
Cooler fan Circuit	20 amp
Headlight (optional)	15 amp

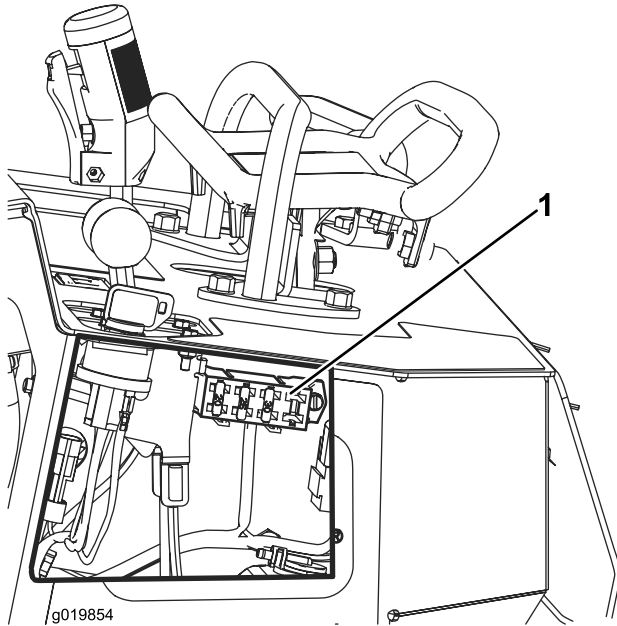


Figure 43

1. Fuse block

# Drive System Maintenance

## Servicing the Tracks

### Cleaning the Tracks

**Service Interval:** After each use

Check the tracks for excessive wear and clean them periodically. If the tracks are worn, replace them.

1. Lower the grinder.
2. Stop the engine, remove the key, and wait for all moving parts to stop before leaving the operating position.
3. Using a water hose or pressure washer, remove dirt from each track system.

**Important:** Ensure that you use high-pressure water to wash only the track area. Do not use a high-pressure washer to clean the rest of the machine. High-pressure washing can damage the electrical system and hydraulic valves or deplete grease.

**Important:** Ensure that you fully clean the wheels and the drive sprocket (Figure 44).

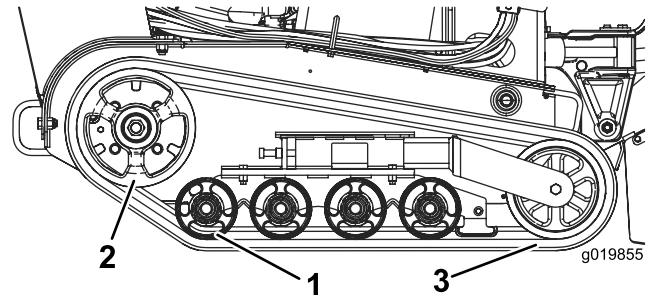


Figure 44

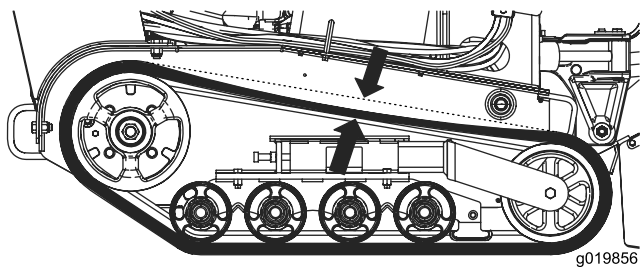
1. Road wheels
2. Drive sprocket
3. Track

## Checking and Adjusting the Track Tension

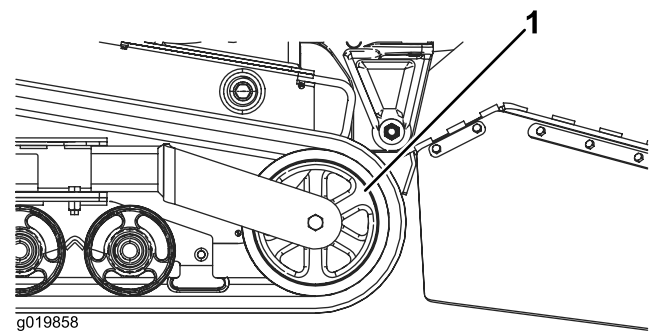
**Service Interval:** After the first 50 hours

Every 100 hours

To check the tension of each track, place 45 lb (20.4 kg) on the track midway between the front road wheel and the drive sprocket. The track should flex no more than 1/4 to 3/8 inch (0.6 to 1 cm). If it does, adjust the track tension using the following procedure:

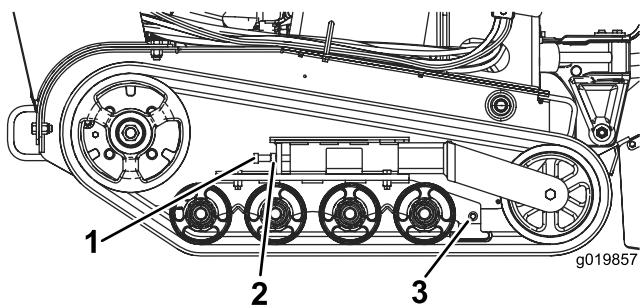


**Figure 45**



**Figure 47**

1. Stop the machine in on a level surface.
2. Stop the engine, lower the grinder, remove the key, and wait for all moving parts to stop before leaving the operating position.
3. Loosen the jam nut on the track tensioning bolt (Figure 46).



**Figure 46**

- |                    |                |
|--------------------|----------------|
| 1. Tensioning bolt | 3. Clamp bolts |
| 2. Jam nut         |                |

4. Torque the tensioning bolt to 24 to 30 ft-lb (32.5 to 40 N-m) to tighten the track (Figure 46).
5. Ensure that the track deflects less than 1/4 to 3/8 inch (0.6 to 1 cm) when 45 lb (20.6 kg) of force is applied to the track span. Adjust the torque on the tensioning bolt as needed.
6. Tighten the jam nut.

## Replacing the Tracks

When the tracks are badly worn, replace them.

1. Lower the grinder.
2. Stop the engine, remove the key, and wait for all moving parts to stop before leaving the operating position.
3. Lift/support the side of the unit to be worked on so that the track is 3 to 4 inches (7.6 to 10 cm) off of the ground.
4. Back out the tensioning bolt and jam nut (Figure 46).
5. Push the tensioning wheel rearward as far as it will go (Figure 47).

1. Tensioning wheel

6. Begin removing the track at the top of the tensioning wheel, peeling it off of the wheel while rotating the track forwards.
7. When the track is off of the tensioning wheel, remove it from the machine (Figure 47).
8. Beginning at the drive sprocket, coil the new track around the sprocket, ensuring that the lugs on the inside of the track fit between the spacers on the sprocket (Figure 44).
9. Push the track under and between the rear and center road wheels (Figure 44).
10. Starting at the bottom of the tensioning wheel, install the track around the wheel by rotating the track rearward while pushing the lugs into the wheel.
11. Install the tensioning bolt and jam nut.
12. Torque the tensioning bolt to 24 to 30 ft-lb (32.5 to 40 N-m) to tighten the track.
13. Ensure that the track deflects less than 1/4 to 3/8 inch (0.6 to 1 cm) when 45 lb (20.6 kg) of force is applied to the track span. Adjust the torque on the tensioning bolt as needed.
14. Tighten the jam nut.
15. Lower the machine to the ground.
16. Repeat steps 3 through 15 to replace the other track.

## Checking and Greasing the Road Wheels

**Service Interval:** Every 250 hours

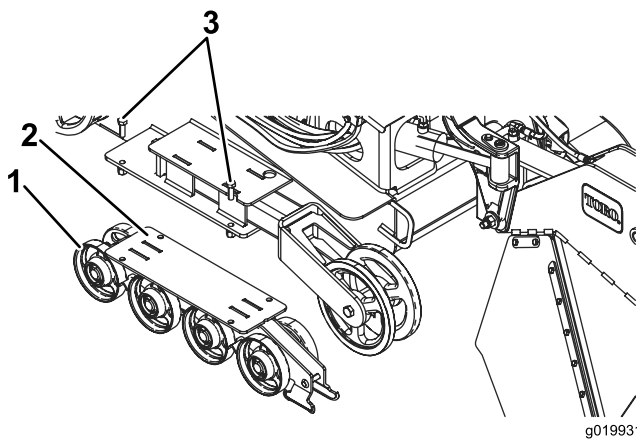
1. Remove the tracks; refer to Replacing the Tracks (page 31).
2. Remove the 4 bolts securing each lower track guide which contains the road wheels, and remove them (Figure 48).

# Cooling System Maintenance

## Servicing the Engine Oil Cooler

**Service Interval:** Every 150 hours

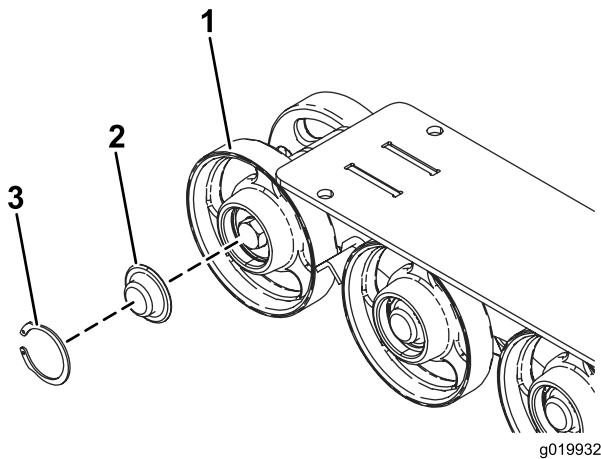
1. Lower the grinder.
2. Stop the engine, remove the key, and wait for all moving parts to stop before leaving the operating position.
3. To access and service the oil cooler, remove the top mounting screw and loosen the two side screws.
4. Remove the shroud.
5. Clean the engine oil cooler with compressed air (Figure 50).
6. Install the shroud and install the screws.



**Figure 48**

1. Road wheels
2. Lower track guide
3. Track guide bolts (only two shown)

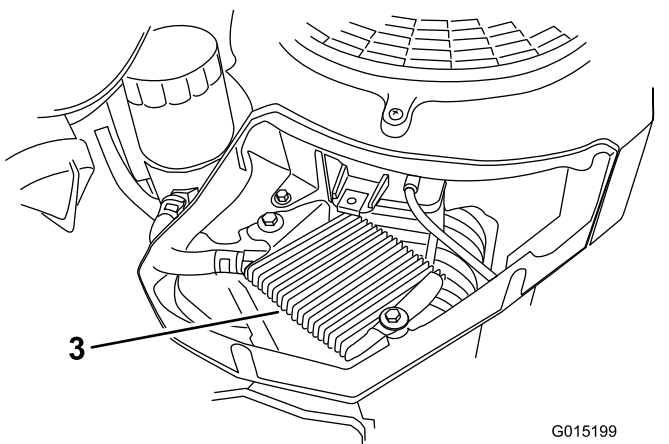
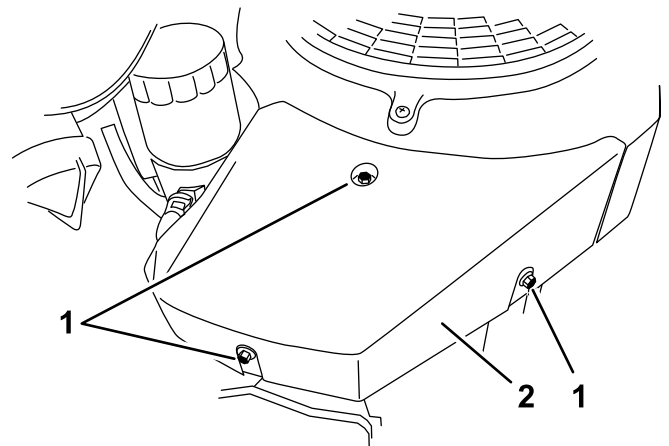
3. Remove the snap ring and cap from a road wheel (Figure 49).



**Figure 49**

1. Road wheel
2. Road wheel cap
3. Snap ring

4. Check the grease under the cap and around the gasket (Figure 49). If it is dirty, gritty, or depleted, clean out all of the grease, replace the gasket, and add new grease.
5. Ensure that the road wheel turns smoothly on the bearing. If it is frozen, contact your Authorized Service Dealer to replace the road wheel.
6. Place the greased road wheel cap over the bolt head (Figure 49).
7. Secure the road wheel cap with the snap ring (Figure 49).
8. Repeat steps 3 through 7 for all road wheels.
9. Install each track guide to the traction unit frame using the fasteners you removed previously. Torque the bolts to 67 to 83 ft-lb (91 to 112 N-m).
10. Install the tracks; refer to Replacing the Tracks (page 31).



**Figure 50**

1. Shroud screws
2. Shroud
3. Engine oil cooler



# Cleaning the Engine Screen

**Service Interval:** Before each use or daily

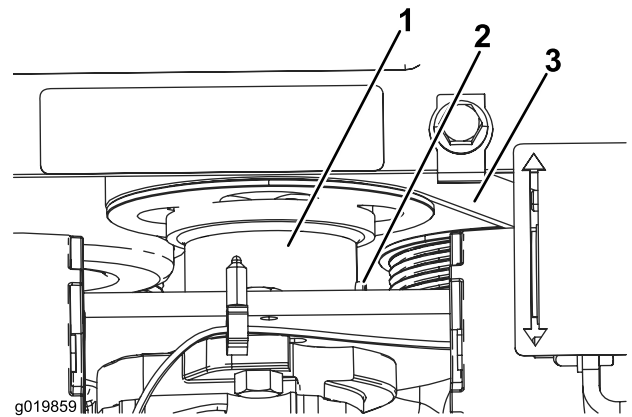
Before each use remove any build-up of grass, dirt or other debris from the engine screen. This will help ensure adequate cooling and correct engine speed and will reduce the possibility of overheating and mechanical damage to the engine.

# Belt Maintenance

## Replacing the Pump Drive Belt

If the pump drive belt begins to squeal or is cracked, worn, or frayed, replace it. Contact your Authorized Service Dealer for a replacement belt.

1. Raise the grinder and secure it with the grinder lock.
2. Stop the engine, remove the key, and wait for all moving parts to stop before leaving the operating position.
3. Raise the back of the machine and support it on jack stands.
4. Remove the bottom shield; refer to Removing the Bottom Shield (page 21).
5. Loosen the set screw on the pump drive coupler (Figure 51).



**Figure 51**

- |                       |         |
|-----------------------|---------|
| 1. Pump drive coupler | 3. Belt |
| 2. Set screw          |         |
- 
6. Drop the coupler down away from the pulley (Figure 51).
  7. Using a spring puller (contact your Authorized Service Dealer) or stiff metal hook, pull the end of the idler pulley spring off of the spring bolt to release tension on the belt.
  8. Remove the belt.
  9. Route a new belt around the pulleys.
  10. Install the idler pulley spring on the bolt.
  11. Push the coupler up to engage the pulley.
  12. Apply blue thread lock to the coupler set screw threads and torque it to 10 to 12.6 N-m (90 to 110 in-lb).
  13. Install the bottom shield.

# Controls System Maintenance

The factory adjusts the controls before shipping the machine. However, after many hours of use, you may need to adjust the traction control alignment, the neutral position of the traction control, and the tracking of the traction control in the full forward position.

**Important:** To adjust the controls properly, complete each procedure in the order listed.

## Adjusting the Traction Control Alignment

If the traction control bar does not rest flush and square with the reference bar when in the full backward position, immediately complete the following procedure:

1. Park the machine on a flat surface and lower the grinder.
2. Stop the engine and remove the key.
3. Pull straight back on the traction control so the front of the control contacts the reference bar (Figure 52).

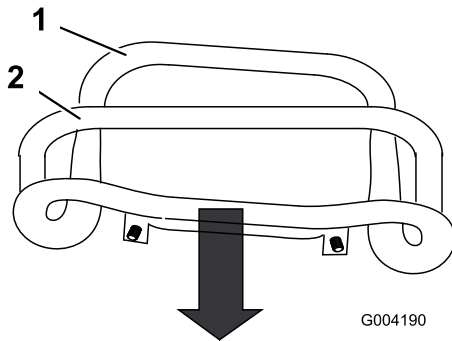


Figure 52

1. Front of the control, out of alignment
2. Reference bar

4. If the front of the traction control does not rest square and flush with the reference bar, loosen the flange nut and bolt in the stem of the traction control (Figure 53).

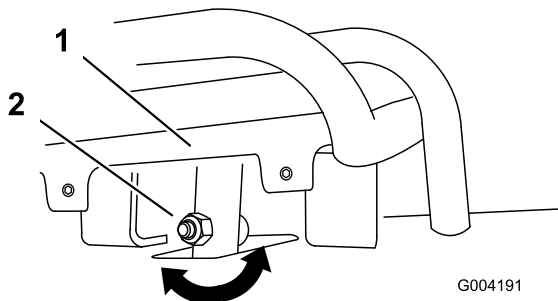


Figure 53

1. Traction control
2. Stem, bolt and nut

5. Adjust the traction control so that it rests flush against the reference bar when it is pulled straight back (Figure 53 and Figure 54).

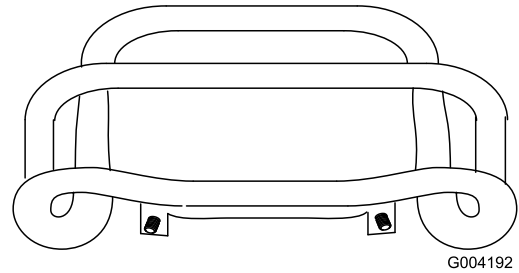


Figure 54

6. Tighten the flange nut and bolt in the traction control stem.
7. Start the engine.
8. Drive the machine in reverse with the traction control tight to the reference bar. If the machine does not back up straight, complete the following procedure:
  - A. Stop the engine
  - B. Lift/support the machine so that both tracks are off of the ground and are free to run.
  - C. Loosen the flange nut and bolt in the stem of the traction control (Figure 53).
  - D. Loosen the jam nuts on the traction rods, under the control panel (Figure 55).

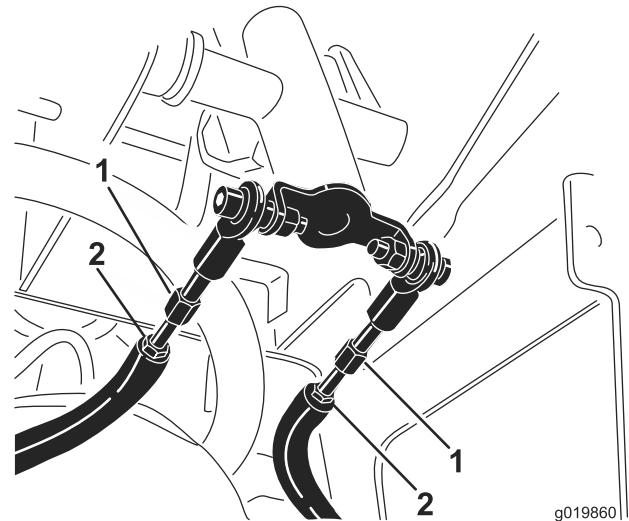


Figure 55

1. Traction rod
2. Jam nut

- E. Start the machine and set the throttle to about 1/3 open position.

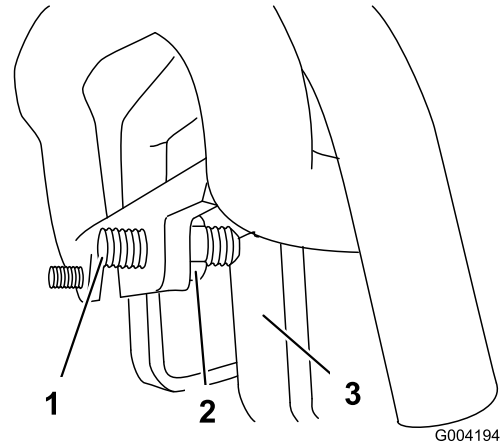
## **▲ WARNING**

When the machine is running, you could be caught and injured in moving parts or burned on hot surfaces.

Stay away from pinch points, moving parts, and hot surfaces when adjusting the running machine.

- F. Have a helper hold the traction control tight to the reference bar in reverse.
- G. Adjust the length of the traction rods until both tracks are running at the same speed.  
**Note:** You can also adjust the maximum reverse speed of the tracks at this time.
- H. Tighten the jam nuts.
- I. Adjust the traction control so that it rests flush against the reference bar when it is pulled straight back (Figure 53 and Figure 54).
- J. Tighten the flange nut and bolt in the traction control stem.
- K. Stop the engine and lower the machine to the ground.
- L. Drive the machine in full reverse, checking to see if the unit tracks straight. If it does not, note the direction the machine veers. Repeat the adjustment previously described so that it tracks straight in reverse.

- 4. If the machine veers to the **right**, loosen the **left** jam nut and adjust the tracking set screw on the front of the traction control (Figure 56).



**Figure 56**

- 1. Set screw
- 2. Jam nut
- 3. Stop

- 5. Repeat steps 1 through 4 until the machine drives straight in the full forward position.

**Important:** Ensure the tracking set screws touch the stops in the full forward position to avoid over stroking the hydraulic pumps.

## **Adjusting the Traction Control Neutral Position**

If the machine creeps forward or backward when the traction control is in neutral and the unit is warm, the return-to-neutral mechanism on the pumps may need to be adjusted; contact you Authorized Service Dealer for repairs.

## **Adjusting the Tracking of the Traction Control, Full Forward Position**

If the machine does not drive straight when you hold the traction control forward against the reference bar, complete the following procedure:

- 1. Drive the machine with the traction control against the reference bar, noting which direction the machine veers.
- 2. Release the traction control.
- 3. If the machine veers to the **left**, loosen the **right** jam nut and adjust the tracking set screw on the front of the traction control (Figure 56).

# Hydraulic System Maintenance

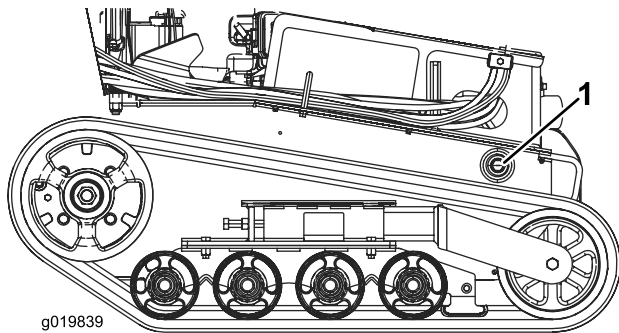
## Checking the Hydraulic Fluid Level

**Service Interval:** Every 25 hours

**Hydraulic System Capacity:** 38 L (10 US gallons)

Use **Toro Premium All Season Hydraulic Oil**.

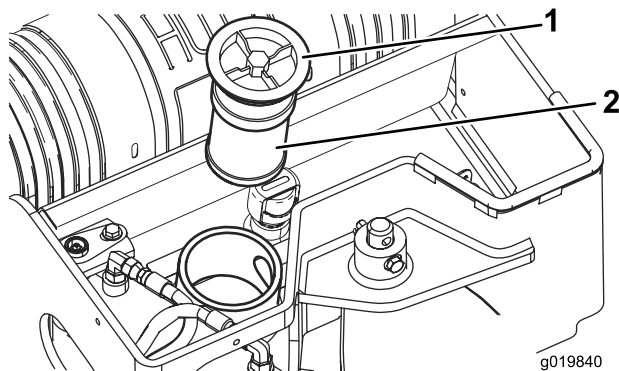
1. Park the machine on a level surface and lower the grinder.
2. Stop the engine, remove the key, and allow the engine to cool.
3. Look into the glass bubble on the right side of the machine. If you cannot see hydraulic fluid in the bubble, continue this procedure to add fluid.



**Figure 57**

1. Hydraulic fluid check bubble

4. Remove the cover plate; refer to Removing the Front Cover (page 21).
5. Clean the area around the filler neck of the hydraulic tank and remove the cap and filter from the filler neck using a socket (Figure 58).



**Figure 58**

1. Filler neck cap
2. Hydraulic fluid filter

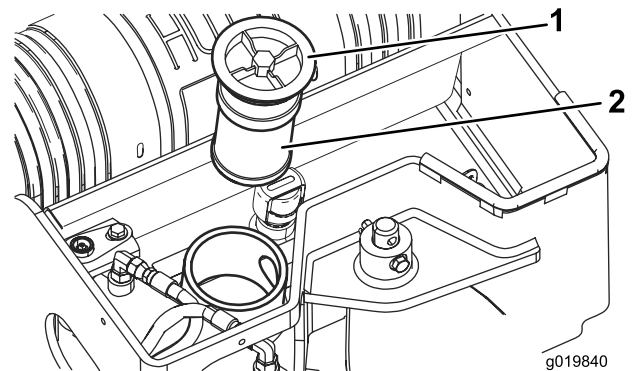
6. If the level is low, add fluid until it is visible in the glass bubble.

7. Install the cap and filter on the filler neck and torque bolt on top to 21 to 25 N-m (200 to 240 inch-lb).
8. Install the cover plate; refer to Installing the Front Cover (page 21).

## Replacing the Hydraulic Filter

**Service Interval:** Every 200 hours

1. Position machine on a level surface.
2. Lower the grinder.
3. Stop the engine, remove the key, and wait for all moving parts to stop before leaving the operating position.
4. Remove the top cover.
5. Remove and discard the old filter (Figure 59).



**Figure 59**

1. Filler cap
2. Hydraulic filter

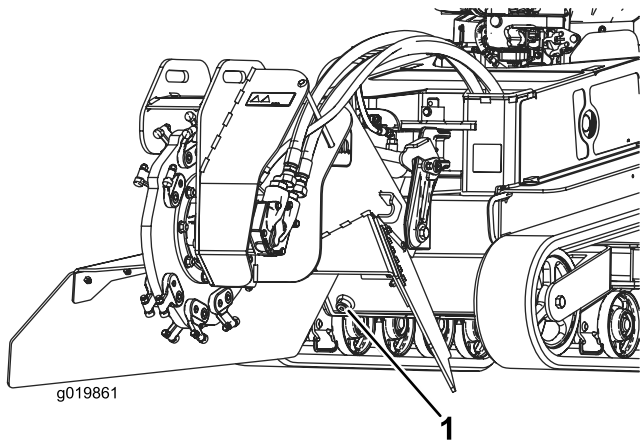
6. Install the replacement hydraulic filter and filler cap (Figure 59) and torque bolt on top to 21 to 25 N-m (200 to 240 inch-lb).
7. Clean up any spilled fluid.
8. Install the top cover.

## Changing the Hydraulic Fluid

**Service Interval:** Every 400 hours/Yearly (whichever comes first)

1. Position the machine on a level surface.
2. Lower the grinder.
3. Stop the engine, remove the key, and wait for all moving parts to stop before leaving the operating position.
4. Allow the machine to cool completely.
5. Remove the top cover.
6. Remove the hydraulic tank filler cap and filter (Figure 59).
7. Place a drain pan capable of holding 38 L (10 US gallons) under the hydraulic tank.

- Remove the hydraulic tank drain plug and allow the fluid to drain into the pan (Figure 60).



**Figure 60**

- Hydraulic tank drain plug

- When finished, install and tighten the drain plug.

**Note:** Dispose of the used oil at a certified recycling center.

- Fill the hydraulic tank with approximately 38 L (10 US gallons) of Toro Premium All Season Hydraulic Oil; refer to Checking the Hydraulic Fluid Level (page 36).
- Install the hydraulic filter and filler cap (Figure 59) and torque bolt on top to 21 to 25 N-m (200 to 240 inch-lb).
- Start the engine and let it run for a few minutes.
- Stop the engine.
- Check the hydraulic fluid level and top it off if necessary; refer to Checking the Hydraulic Fluid Level (page 36).
- Clean up any spilled fluid.
- Install the top cover.

## Checking the Hydraulic Lines

**Service Interval:** Every 100 hours—Check the hydraulic lines for leaks, loose fittings, kinked lines, loose mounting supports, wear, weather, and chemical deterioration and repair if necessary.

Every 1,500 hours/Every 2 years (whichever comes first)—Replace all moving hydraulic hoses.

### **⚠ WARNING**

Hydraulic fluid escaping under pressure can penetrate skin and cause injury. Fluid injected into the skin must be surgically removed within a few hours by a doctor familiar with this form of injury or gangrene may result.

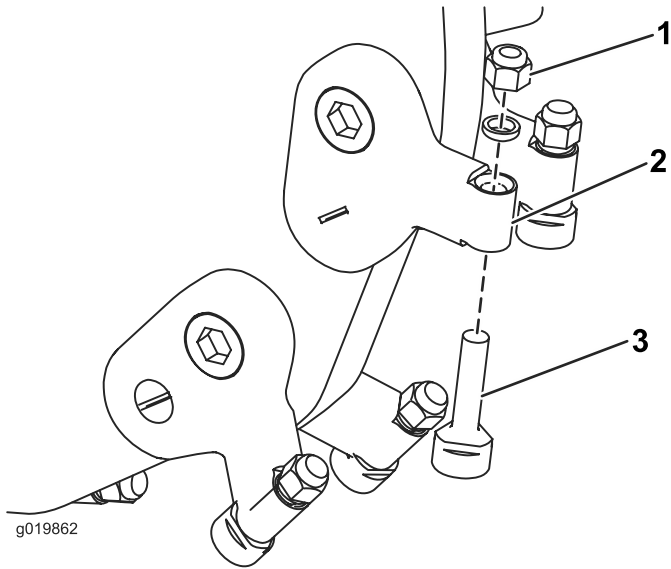
- Keep your body and hands away from pin hole leaks or nozzles that eject high pressure hydraulic fluid.
- Use cardboard or paper to find hydraulic leaks, never use your hands.

# Grinder Maintenance

## Replacing the Teeth

**Service Interval:** Before each use or daily—Check the condition of the teeth and rotate or replace any that are worn or damaged.

Due to the high amount of wear placed on the teeth, you will need to rotate and replace them periodically.



**Figure 61**

- |                 |          |
|-----------------|----------|
| 1. Nut          | 3. Tooth |
| 2. Tooth holder |          |

Each tooth is indexed with three positions so you can rotate it twice, exposing a new sharp edge before replacing the tooth. To rotate a tooth, loosen the nut securing the tooth (Figure 61). Push the tooth forward and rotate it one third of a turn, bringing an unused edge to the outside. Torque the nut securing the tooth to 37 to 45 N-m (27 to 33 ft-lb).

To replace a tooth, remove the nut securing the tooth to remove it, then install a new tooth and nut in the same position (Figure 61). Torque the nut securing the tooth to 37 to 45 N-m (27 to 33 ft-lb).

# Cleaning

## Removing Debris from the Machine

**Important:** Operating the engine with blocked screens, dirty or plugged cooling fins, and/or cooling shrouds removed, will result in engine damage from overheating.

1. Lower the grinder.
2. Stop the engine, remove the key, and wait for all moving parts to stop before leaving the operating position.
3. Wipe away debris from the air cleaner.
4. Clean debris from the oil cooler.

# Storage

1. Lower the grinder.
2. Stop the engine, remove the key, and wait for all moving parts to stop before leaving the operating position.
3. Remove dirt and grime from the external parts of the entire machine, especially the engine. Clean dirt and chaff from the outside of the engine cylinder head fins and blower housing.

**Important:** You can wash the machine with mild detergent and water. Do not pressure wash the machine. Avoid excessive use of water, especially near the control panel, engine, hydraulic pumps, and motors.

4. Service the air cleaner; refer to Servicing the Air Cleaner (page 23).
5. Grease the machine; refer to Greasing the Machine (page 22).
6. Change the engine oil; refer to Changing the Engine Oil (page 24).
7. For storage over 30 days, prepare the machine as follows:
  - A. Add a petroleum based stabilizer/conditioner to fuel in the tank. Follow mixing instructions from stabilizer manufacturer. (1 oz. per US gallon). **Do not use an alcohol based stabilizer (ethanol or methanol).**

**Note:** Fuel stabilizer/conditioner is most effective when mixed with fresh gasoline and used at all times.

  - B. Run the engine to distribute conditioned fuel through the fuel system (5 minutes).
  - C. Stop the engine, allow it to cool and drain the fuel tank using a pump type syphon.
  - D. Restart the engine and run it until it stops.
  - E. Choke the engine.
  - F. Start and run the engine until it will not start again.
  - G. Dispose of fuel properly. Recycle as per local codes.

**Important:** Do not store stabilizer/conditioned gasoline over 90 days.

8. Remove the spark plugs and pour two tablespoons of engine oil into each spark plug hole.
9. Place a rag over the spark plug holes to catch any oil spray, then use the starter to crank the engine and distribute the oil inside the cylinder.
10. Install the spark plugs, but do not install the wires on them.
11. Charge the battery; refer to Servicing the Battery (page 28).

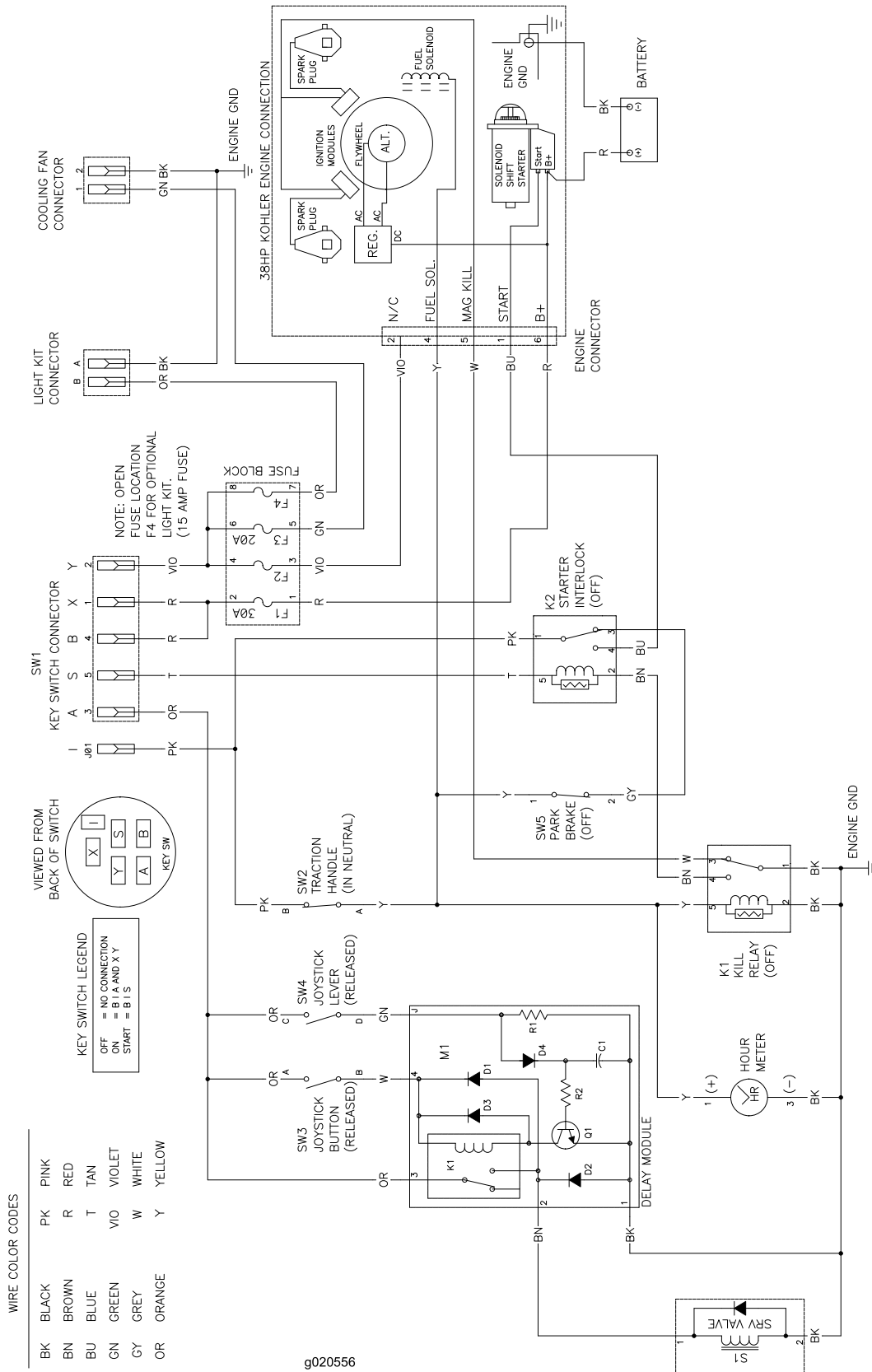
12. Check and adjust the track tension; refer to Checking and Adjusting the Track Tension (page 30).
13. Check and tighten all bolts, nuts, and screws. Repair or replace any part that is damaged.
14. Paint all scratched or bare metal surfaces. Paint is available from your Authorized Service Dealer.
15. Store the machine in a clean, dry garage or storage area. Remove the key from the ignition switch and keep it in a memorable place.
16. Cover the machine to protect it and keep it clean.

# Troubleshooting

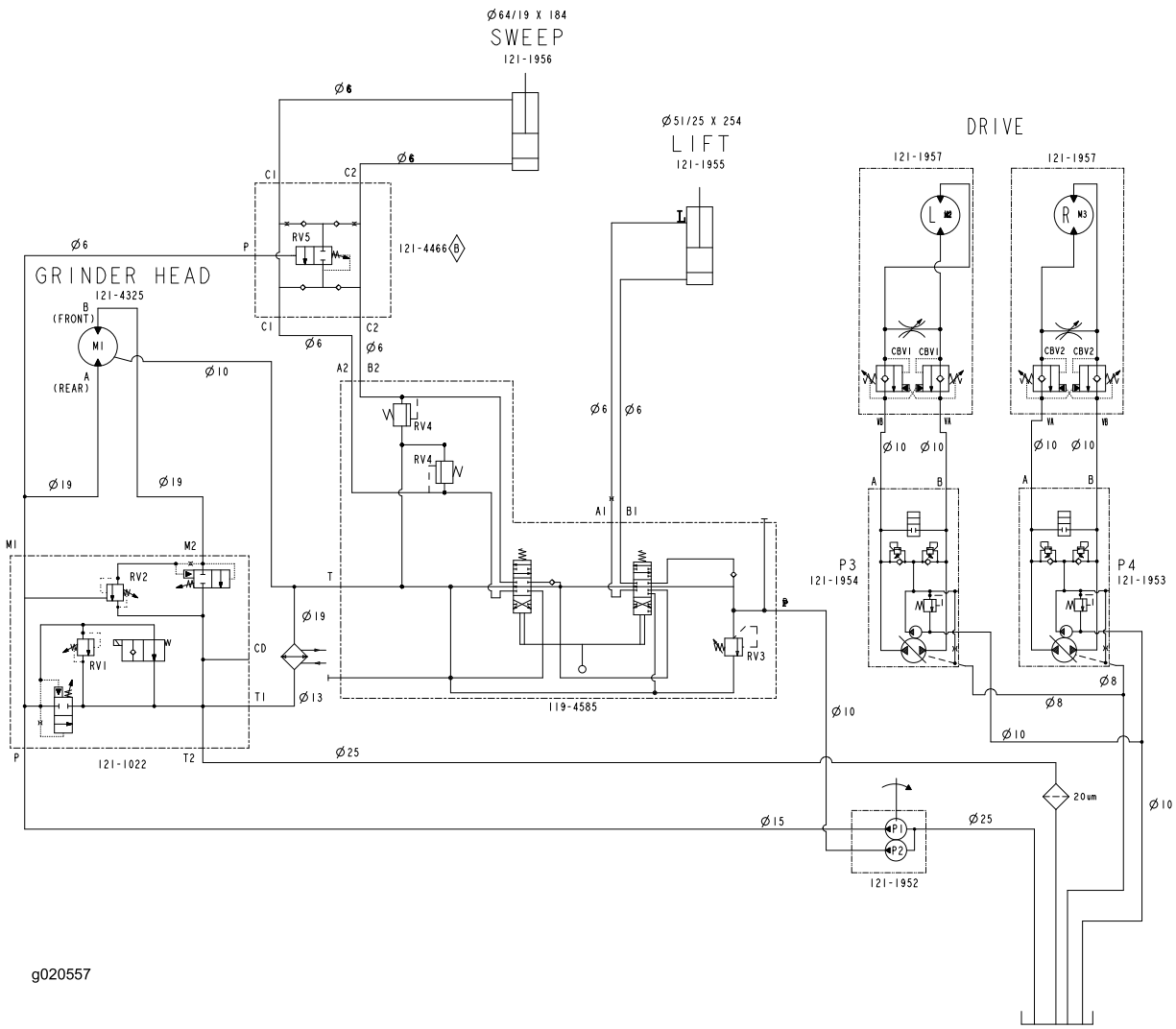
Problem	Possible Cause	Corrective Action
The starter does not crank.	<ol style="list-style-type: none"> <li>1. The battery is discharged.</li> <li>2. The electrical connections are corroded or loose.</li> <li>3. The relay or switch is damaged.</li> </ol>	<ol style="list-style-type: none"> <li>1. Charge the battery or replace it.</li> <li>2. Check the electrical connections for good contact.</li> <li>3. Contact your Authorized Service Dealer.</li> </ol>
The engine will not start, starts hard, or fails to keep running.	<ol style="list-style-type: none"> <li>1. The fuel tank is empty.</li> <li>2. The fuel shutoff valve is closed.</li> <li>3. The controls are not in neutral.</li> <li>4. The choke is not on.</li> <li>5. The air cleaner is dirty.</li> <li>6. A spark plug wire is loose or disconnected.</li> <li>7. A spark plug is pitted, fouled, or the gap is incorrect.</li> <li>8. Dirt, water, or stale fuel is in fuel system.</li> </ol>	<ol style="list-style-type: none"> <li>1. Fill the fuel tank with gasoline.</li> <li>2. Open the fuel shutoff valve.</li> <li>3. Move the controls to neutral.</li> <li>4. Move the choke lever fully forward.</li> <li>5. Clean or replace the air cleaner elements.</li> <li>6. Install the wire on the spark plug.</li> <li>7. Install a new, correctly gapped spark plug.</li> <li>8. Contact your Authorized Service Dealer.</li> </ol>
Engine loses power.	<ol style="list-style-type: none"> <li>1. The engine load is excessive.</li> <li>2. The air cleaner is dirty.</li> <li>3. The oil level in crankcase is low.</li> <li>4. The cooling fins and air passages under the engine blower housing are plugged.</li> <li>5. A spark plug is pitted, fouled, or the gap is incorrect.</li> <li>6. Dirt, water, or stale fuel is in fuel system.</li> </ol>	<ol style="list-style-type: none"> <li>1. Reduce ground speed.</li> <li>2. Clean or replace the air cleaner elements.</li> <li>3. Check and add oil to the crankcase.</li> <li>4. Remove any obstructions from the cooling fins and air passages.</li> <li>5. Install a new, correctly gapped spark plug.</li> <li>6. Contact your Authorized Service Dealer.</li> </ol>
The engine overheats.	<ol style="list-style-type: none"> <li>1. The engine load is excessive.</li> <li>2. The oil level in crankcase is low.</li> <li>3. The engine cooling system is dirty.</li> </ol>	<ol style="list-style-type: none"> <li>1. Reduce ground speed.</li> <li>2. Check and add oil to the crankcase.</li> <li>3. Clean the engine and engine oil cooler.</li> </ol>
Abnormal vibration.	<ol style="list-style-type: none"> <li>1. The engine mounting bolts are loose.</li> </ol>	<ol style="list-style-type: none"> <li>1. Tighten the engine mounting bolts.</li> </ol>
The machine does not drive.	<ol style="list-style-type: none"> <li>1. The hydraulic fluid level is low.</li> <li>2. The tow valves are open.</li> <li>3. The hydraulic system is damaged.</li> </ol>	<ol style="list-style-type: none"> <li>1. Check and add hydraulic fluid.</li> <li>2. Close the tow valves.</li> <li>3. Contact your Authorized Service Dealer.</li> </ol>
The grinder does not turn	<ol style="list-style-type: none"> <li>1. A chunk of wood or a rock is caught in the grinder.</li> <li>2. The grinder drive system is damaged.</li> <li>3. The hydraulic system is obstructed, contaminated, or damaged.</li> </ol>	<ol style="list-style-type: none"> <li>1. Stop the engine and remove the obstruction with a stick.</li> <li>2. Contact your Authorized Service Dealer.</li> <li>3. Contact your Authorized Service Dealer.</li> </ol>
The grinder does not cut fast enough	<ol style="list-style-type: none"> <li>1. The teeth are worn.</li> <li>2. The hydraulic system is overheated.</li> <li>3. The hydraulic system is obstructed, contaminated, or damaged.</li> </ol>	<ol style="list-style-type: none"> <li>1. Rotate or replace the teeth.</li> <li>2. Shutdown and allow the system to cool.</li> <li>3. Contact your Authorized Service Dealer.</li> </ol>
The Grinder head does not lower or raise.	<ol style="list-style-type: none"> <li>1. The lift/lower control valve is closed.</li> </ol>	<ol style="list-style-type: none"> <li>1. Turn the control dial counter clockwise to open it.</li> </ol>
The hydraulic oil overflows or is very hot.	<ol style="list-style-type: none"> <li>1. The cooling fan is not functioning.</li> </ol>	<ol style="list-style-type: none"> <li>1. Check the fuse and replace it if necessary.</li> </ol>



# Schematics



Electrical Schematic (Rev. A)



g020557

Hydraulic Schematic (Rev. A)

# Notes:



# Toro Compact Utility Equipment Warranty

A One-Year Limited Warranty

CUE Products

## Conditions and Products Covered

The Toro® Company and its affiliate, Toro Warranty Company, pursuant to an agreement between them, jointly warrant your Toro Compact Utility Equipment ("Product") to be free from defects in materials or workmanship. The following time periods apply from the date of purchase:

Products	Warranty Period
Loaders, Trenchers, Stump Grinders, Chippers, Log Splitters and Attachments Kohler Engines	1 year or 1000 operating hours, whichever occurs first
All other Engines	3 years
	2 years

Where a warrantable condition exists, we will repair the Product at no cost to you including diagnosis, labor, and parts.

## Instructions for Obtaining Warranty Service

If you think that your Toro Product contains a defect in materials or workmanship, follow this procedure:

1. Contact any Authorized Toro Compact Utility Equipment (CUE) Service Dealer to arrange service at their dealership. To locate a dealer convenient to you, access our website at [www.Toro.com](http://www.Toro.com). You may also call our Toro Customer Care Department toll free at 888-865-5676 (U.S. customers) or 888-865-5691 (Canadian customers).
2. Bring the product and your proof of purchase (sales receipt) to the Service Dealer.
3. If for any reason you are dissatisfied with the Service Dealer's analysis or with the assistance provided, contact us at:

LCB Customer Care Department  
Toro Warranty Company  
8111 Lyndale Avenue South  
Bloomington, MN 55420-1196  
Toll Free: 888-865-5676 (U.S. customers)  
Toll Free: 888-865-5691 (Canada customers)

## Owner Responsibilities

You must maintain your Toro Product by following the maintenance procedures described in the *Operator's Manual*. Such routine maintenance, whether performed by a dealer or by you, is at your expense. Parts scheduled for replacement as required maintenance ("Maintenance Parts"), are warranted for the period of time up to the scheduled replacement time for that part. Failure to perform required maintenance and adjustments can be grounds for disallowing a warranty claim.

## Items and Conditions Not Covered

Not all product failures or malfunctions that occur during the warranty period are defects in materials or workmanship. This express warranty does not cover the following:

- Product failures which result from the use of non-Toro replacement parts, or from installation and use of add-on, modified, or unapproved accessories
- Product failures which result from failure to perform required maintenance and/or adjustments
- Product failures which result from operating the Product in an abusive, negligent or reckless manner
- Parts subject to consumption through use unless found to be defective. Examples of parts which are consumed, or used up, during normal Product operation include, but are not limited to, teeth, tines, blades, spark plugs, tires, tracks, filters, chains, etc.
- Failures caused by outside influence. Items considered to be outside influence include, but are not limited to, weather, storage practices, contamination, use of unapproved coolants, lubricants, additives, or chemicals, etc.
- Normal "wear and tear" items. Normal "wear and tear" includes, but is not limited to, worn painted surfaces, scratched decals or windows, etc.
- Any component covered by a separate manufacturer's warranty
- Pickup and delivery charges

## General Conditions

Repair by an Authorized Toro Compact Utility Equipment (CUE) Service Dealer is your sole remedy under this warranty.

**Neither The Toro® Company nor Toro Warranty Company is liable for indirect, incidental or consequential damages in connection with the use of the Toro Products covered by this warranty, including any cost or expense of providing substitute equipment or service during reasonable periods of malfunction or non-use pending completion of repairs under this warranty. All implied warranties of merchantability and fitness for use are limited to the duration of this express warranty. Some states do not allow exclusions of incidental or consequential damages, or limitations on how long an implied warranty lasts, so the above exclusions and limitations may not apply to you.**

This warranty gives you specific legal rights, and you may also have other rights which vary from state to state.

Except for the engine warranty coverage and the Emissions warranty referenced below, if applicable, there is no other express warranty. The Emissions Control System on your Product may be covered by a separate warranty meeting requirements established by the U.S. Environmental Protection Agency (EPA) or the California Air Resources Board (CARB). The hour limitations set forth above do not apply to the Emissions Control System Warranty. Refer to the California Emission Control Warranty Statement supplied with your Product or contained in the engine manufacturer's documentation for details.

## Countries Other than the United States or Canada

Customers who have purchased Toro products exported from the United States or Canada should contact their Toro Distributor (Dealer) to obtain guarantee policies for your country, province, or state. If for any reason you are dissatisfied with your Distributor's service or have difficulty obtaining guarantee information, contact the Toro importer. If all other remedies fail, you may contact us at Toro Warranty Company.